

# AC-1500EH, AC-2000EH, AC-3000EH, AC-3000EH-3 High Pressure Washers



**JOHN DEERE**

**OPERATOR'S  
MANUAL**



**CAUTION**

**RISK OF INJURY!**

**READ MANUAL BEFORE OPERATING!**

**This manual is an important part of the pressure washer and must remain with the unit when you sell or rent it!**

# TABLE OF CONTENTS

<b>INTRODUCTION</b> .....	<b>3</b>
<b>IMPORTANT SAFETY INSTRUCTIONS</b> .....	<b>4-7</b>
RISK OF ELECTRIC SHOCK OR ELECTROCUTION .....	4
RISK OF EXPLOSION OR FIRE .....	5
RISK OF ASPHYXIAITON .....	5
RISK OF INJECTION OR SEVERE CUTTING INJURY .....	6
RISK OF BURNS .....	6
RISK OF BURSTING .....	6
RISK FROM MOVING PARTS .....	6
RISK OF BODILY INJURY .....	7
<b>FEATURES</b> .....	<b>8-11</b>
AC-1500EH & AC-2000EH FEATURES .....	8-9
AC-3000EH & AC-3000EH-3 FEATURES .....	10-11
<b>INSTALLATION &amp; PREPARATION INSTRUCTIONS</b> .....	<b>12-15</b>
ATTIRE .....	12
SET-UP .....	12
POWER CORD CONNECTION .....	12-13
BURNER FUEL TANK .....	13
ADJUSTABLE PRESSURE DUAL LANCE .....	14
DUAL LANCE CONNECTION .....	14
WATER SUPPLY .....	14
UNLOADER .....	15
HEAT DUMP VALVE .....	15
PRE-START INSPECTION PROCEDURES .....	15
<b>OPERATING INSTRUCTIONS</b> .....	<b>16-19</b>
FLUSHING THE SYSTEM .....	16
START-UP/COLD WATER OPERATION .....	16
HOT WATER OPERATION .....	17
STEAM OPERATION .....	18
CLEANING WITH DETERGENTS .....	18
SHUTDOWN .....	19
<b>STORAGE &amp; MAINTENANCE INSTRUCTIONS</b> .....	<b>19-20</b>
SPECIFIC MAINTENANCE .....	19
WINTERIZING .....	20
<b>TROUBLESHOOTING</b> .....	<b>21-23</b>
<b>MAINTENANCE CHART</b> .....	<b>24</b>
<b>STATEMENT OF WARRANTY</b> ....	<b>25</b>

## **⚠WARNING**

This product contains one or more chemicals known to the State of California to cause cancer and birth defects or other reproductive harm.

## INTRODUCTION

Congratulations on the purchase of your new hot water pressure washer! You can be assured your hot water pressure washer was constructed and designed with quality and performance in mind. Each component has been rigorously tested to ensure the highest level of acceptance.

This operator's manual was compiled for your benefit. By reading and following the simple safety, installation, operation, maintenance and troubleshooting steps described in this manual, you will receive years of trouble free operation from your new hot water pressure washer. The contents of this manual are based on the latest product information available at the time of publication. Manufacturer reserves the right to make changes in price, color, materials, equipment, specifications or models at any time without notice.

### ! IMPORTANT !

These paragraphs are surrounded by a "SAFETY ALERT BOX". This box is used to designate and emphasize Safety Warnings that must be followed when operating this pressure washer. Accompanying the Safety Warnings are "signal words" which designate the degree or level of hazard seriousness. The "signal words" used in this manual are as follows:

**DANGER:** Indicates an imminently hazardous situation which, if not avoided, **WILL** result in death or serious injury.

**WARNING:** Indicates a potentially hazardous situation which, if not avoided, **COULD** result in death or serious injury.

**CAUTION:** Indicates a potentially hazardous situation which, if not avoided **MAY** result in minor or moderate injury.



The symbols set to the left of this paragraph are "Safety Alert Symbols". These symbols are used to call attention to items or procedures that could be dangerous to you or other persons using this equipment.

**ALWAYS PROVIDE A COPY OF THIS MANUAL TO ANYONE USING THIS EQUIPMENT. READ ALL INSTRUCTIONS BEFORE OPERATING THIS PRESSURE WASHER AND ESPECIALLY POINT OUT THE "SAFETY WARNINGS" TO PREVENT THE POSSIBILITY OF PERSONAL INJURY TO THE OPERATOR.**

Once the unit has been uncrated, immediately write in the serial number of your unit in the space provided below.

**SERIAL NUMBER** \_\_\_\_\_

Inspect for signs of obvious or concealed freight damage. If damage does exist, file a claim with the transportation company immediately. Be sure that all damaged parts are replaced and that the mechanical and electrical problems are corrected prior to operation of the unit. If you require service, contact your Customer Service.


Mi-T-M® Corporation, 8650 Enterprise Drive, Peosta, IA 52068  
1-877-JD-KLEEN / (1-877-535-5336) Fax 319-556-1235  
Monday - Friday 8:00 a.m. - 5:00 p.m. CST

Please have the following information available for all service calls:

1. Model Number
2. Serial Number
3. Date and Place of Purchase




## IMPORTANT SAFETY INSTRUCTIONS

**WARNING:** When using this product, basic precautions should always be observed, including the following:  
**READ ALL SAFETY INSTRUCTIONS BEFORE USING PRESSURE WASHER**

HAZARD	POTENTIAL CONSEQUENCE	PREVENTION
<p style="text-align: center;"><b>RISK OF ELECTRIC SHOCK OR ELECTROCUTION</b></p> <div style="text-align: center;">  </div>	<p>Serious injury or death could occur if the pressure washer is not properly grounded. Your pressure washer is powered by electricity and may cause electric shock or electrocution if not used properly.</p> <p>Electrical shock may occur from electrical cord.</p> <p>Electrical shock may occur if pressure washer is not operated properly.</p> <p>Serious injury or death may occur if electrical repairs are attempted by unqualified persons.</p>	<p>This product must be grounded. Make sure the pressure washer is equipped with a GFCI built into the power supply cord. If this is not available, the pressure washer must be plugged into a receptacle that is protected by a GFCI. Disconnect when not in use.</p> <p>If your unit is equipped with a GFCI, <b>DO NOT</b> drop the GFCI as damage could result. If the GFCI is accidentally dropped, be certain to test the GFCI before using to ensure it is working properly. (Follow instructions on GFCI for test procedures.)</p> <p>Always be certain the unit is receiving proper voltage. Before plugging the unit into a compatible power source, be certain the switch is in the "OFF" position. Disconnect when not in use.</p> <p>Do not modify plug provided with the product. If it will not fit the outlet, have a proper outlet installed by a qualified electrician. Do not use any type of adapter.</p> <p>Check power cord for signs of crushing, cutting or heat damage. If replacement of plug or cord is needed, use only identical replacement parts.</p> <p>Do not use extension cords with this pressure washer.</p> <p>Keep all connections dry and off the ground. Do not allow electrical cords to lay in water or in such a position where water could come in contact with them. Do not touch plug with wet hands.</p> <p>Do not pull on the electrical cord to disconnect from the outlet.</p> <p>Do not direct spray on or into electrical installations of any kind! This includes electrical outlets, light bulbs, fuse boxes, transformers, the unit itself, etc.</p> <p>Do not allow metal components of the pressure washer to come in contact with live electrical components.</p> <p>Never operate the pressure washer with safety guards/covers removed or damaged.</p> <p>Any electrical wiring or repairs performed on this pressure washer should be done by Authorized Service Personnel in accordance with National and Local electrical codes.</p> <p>Before opening any electrical enclosure, always shut off the pressure washer, relieve pressure and unplug the pressure washer from the power source. Allow the pressure washer to cool down. Never assume the pressure washer is safe to work on just because it is not operating. It could restart at any time! Service in a clean, flat area.</p>

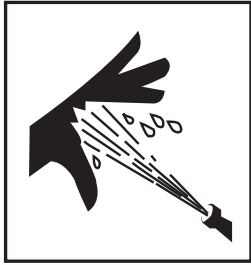



## IMPORTANT SAFETY INSTRUCTIONS

READ ALL SAFETY INSTRUCTIONS BEFORE USING PRESSURE WASHER

HAZARD	POTENTIAL CONSEQUENCE	PREVENTION
<p style="text-align: center;"><b>RISK OF EXPLOSION OR FIRE</b></p> <div style="text-align: center;">      </div>	<p>Serious injury or death may occur from normal sparks in the multiple ignition sources or burner exhaust.</p> <p>Serious injury or death may occur as a result of improper fueling.</p> <p>Serious injury or death may occur if system safety's are not properly maintained.</p>	<p>Always operate pressure washer in a well ventilated area free of flammable vapors, combustible dust, gases or other combustible materials.</p> <p>Do not store the pressure washer near an open flame or any equipment such as a stove, furnace, water heater, etc., which utilizes a pilot light or sparking device.</p> <p>Do not use this pressure washer to spray flammable material!</p> <p>Do not smoke while filling burner fuel tank.</p> <p>Never fill the burner fuel tank while the pressure washer is running or hot. Allow to cool two minutes before refueling.</p> <p>Do not refuel indoors or in a poorly ventilated area.</p> <p>Always refuel slowly to avoid the possibility of spilled fuel which may cause a risk of fire.</p> <p><b>Burner Fuel Tank:</b></p> <p>Use No. 1 or No. 2 fuel oil/diesel or kerosene. Do not use gasoline, crankcase drainings or oil containing gasoline or solvents.</p> <p>Do not operate the unit if diesel fuel is spilled. Wipe the pressure washer clean and move it away from the spill. Avoid creating any ignition until the diesel fuel has evaporated.</p> <p>This pressure washer has a Safety Relief device which should never be altered, modified, removed or made inoperative. If the device fails, replace immediately with only genuine manufacturer replacement part.</p>
<p style="text-align: center;"><b>RISK OF ASPHYXIATION</b></p> <div style="text-align: center;">  </div>	<p>Serious injury or death may occur from inhaling burner exhaust or dangerous vapors.</p>	<p>Never operate this pressure washer in an enclosed area. Always make certain there is adequate ventilation (fresh outside air) for breathing and combustion. This will prevent the buildup of dangerous carbon monoxide gases. Beware of poorly ventilated areas, or areas with exhaust fans which can cause poor air exchange.</p> <p>Follow all safety instructions provided with the materials you are spraying. Use of a respirator may be required when working with some materials. Do not use this pressure washer to dispense hazardous detergents.</p>


## IMPORTANT SAFETY INSTRUCTIONS

READ ALL SAFETY INSTRUCTIONS BEFORE USING PRESSURE WASHER

HAZARD	POTENTIAL CONSEQUENCE	PREVENTION
<p style="text-align: center;"><b>RISK OF INJECTION OR SEVERE CUTTING INJURY</b></p> 	<p>Serious injury or death could occur from high pressure spray penetrating the skin.</p>	<p>Keep clear of nozzle and spray! Never put your hand, fingers or body directly over the spray nozzle.</p> <p>Do not direct discharge stream at persons or self.</p> <p>This product is to be used only by trained operators.</p> <p>Always keep operating area clear of all persons.</p> <p>Close supervision is necessary when used near children. <b>DO NOT</b> allow children to operate this unit!</p> <p><b>SEEK EMERGENCY MEDICAL CARE</b> if the spray appears to have penetrated the skin! <b>DO NOT TREAT AS A SIMPLE CUT!!</b></p> <p>High pressure hoses and fuel lines should be inspected daily for signs of wear. If evidence of failure exists, promptly replace all suspect hoses and fuel lines to prevent curely locked when not in use.</p> <p>Before removing the spray nozzle or servicing the unit, <b>ALWAYS</b> shut off the unit and trigger the gun to release trapped pressure. (Even after you shut off the unit, there is high pressure water left in the pump, hose and gun until you release it by triggering the gun.)</p>
<p style="text-align: center;"><b>RISK OF BURNS</b></p> 	<p>Serious injury may occur from touching the heat exchanger. This area can remain hot for some time after the pressure washer is shutdown.</p>	<p>Never allow any part of your body to contact the heat exchanger.</p> <p>Do not leave unit unattended after shutdown until it is completely cooled down as described in the "SHUTDOWN" procedures listed on page 20 of this manual.</p>
<p style="text-align: center;"><b>RISK OF BURSTING</b></p> 	<p>Serious injury may occur from a pressure washer malfunction or exploding accessories if incorrect system components, attachments or accessories are used.</p> <p>Serious injury or death may occur if attempting to start the pressure washer when the pumping system is frozen.</p>	<p>Never make adjustments to the factory set pressures.</p> <p>Never exceed manufacturers maximum allowable pressure rating of attachments.</p> <p>Do not allow any hoses to make contact with heat exchanger to prevent the possibility of bursting. Avoid dragging the hoses over abrasive surfaces such as cement.</p> <p>Use only manufacturer recommended repair parts for your pressure washer.</p> <p>In freezing temperatures, the unit must always be warm enough to ensure there is no ice formation in the pump. Do not start the pressure washer if it has been transported in an open or underheated vehicle without first allowing the pump to thaw.</p>
<p style="text-align: center;"><b>RISK FROM MOVING PARTS</b></p> 	<p>Serious injury may occur to the operator from moving parts on the pressure washer.</p>	<p>Never make adjustments to the unit while it is connected to the power source.</p> <p>Do not operate the unit without all protective covers in place.</p> <p>Follow the maintenance instructions specified in the manual.</p>

## IMPORTANT SAFETY INSTRUCTIONS

READ ALL SAFETY INSTRUCTIONS BEFORE USING PRESSURE WASHER

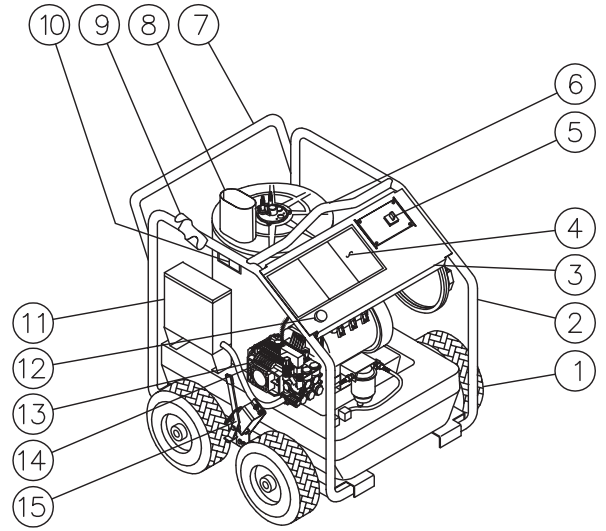
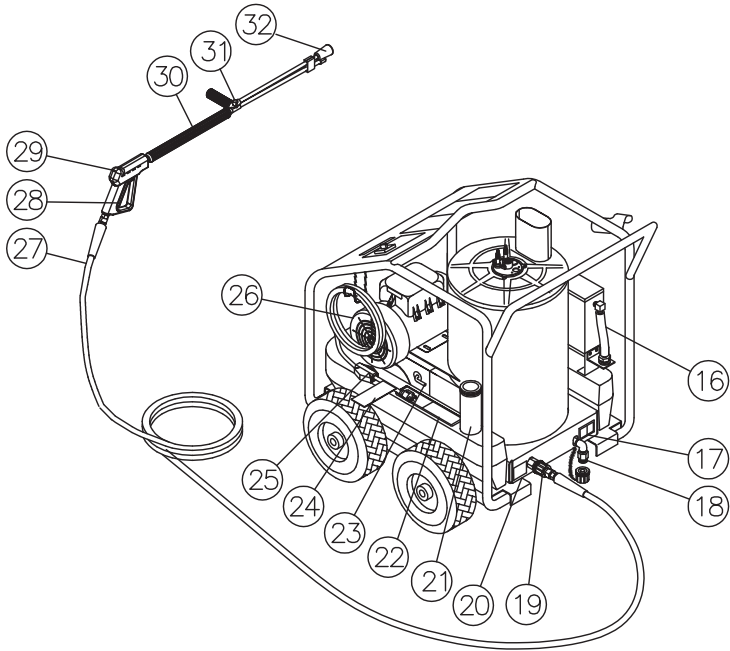
HAZARD	POTENTIAL CONSEQUENCE	PREVENTION
<p style="text-align: center;"><b>RISK OF BODILY INJURY</b></p> <div style="text-align: center;">  </div>	<p>Serious injury or death may occur from detergents contacting the skin.</p> <p>Serious injury can occur from loose debris being propelled at a high speed from the spray gun.</p> <p>Injury may occur if the operator loses his balance caused by the thrust of water traveling through the spray nozzle.</p> <p>Injury may occur from the pressure washer.</p>	<p>SEEK EMERGENCY MEDICAL CARE if you are using cleaning agents and the spray appears to have penetrated the skin! <b>DO NOT TREAT AS A SIMPLE CUT!</b> Be prepared to tell a physician exactly what kind of detergents you were using by reading the Material Safety Data Sheet (MSDS) provided with your detergent.</p> <p>Never use any solvents or highly corrosive detergents or acid type cleaners with this pressure washer.</p> <p>Protective equipment such as rubber suits, gloves and respirators are advisable, especially when using cleaning detergents.</p> <p>Keep all detergents out of the reach of children!</p> <p><b>ALWAYS</b> wear protective goggles when operating the unit to shield the eyes from flying debris and detergents.</p> <p><b>DO NOT</b> direct spray toward fragile materials such as glass for shattering could occur.</p> <p>If the pressure washer is equipped with an Auto start/stop feature, the unit will shutdown until the gun is triggered. To prevent accidental high pressure discharge, do not leave unit unattended while in this mode.</p> <p>Stay alert-watch what you are doing. Do not operate the unit when fatigued or under the influence of alcohol or drugs.</p> <p><b>NEVER</b> squeeze the trigger unless securely braced.</p> <p><b>DO NOT</b> overreach or stand on unstable support. Keep good footing and balance at all times.</p> <p>Wet surfaces can be slippery, wear protective foot gear and keep good footing and balance at all times.</p> <p><b>NEVER</b> trigger the gun while on a ladder or roof.</p> <p><b>ALWAYS</b> hold on firmly to the gun/lance assembly when starting and operating the unit. Failure to do so can cause the lance to fall and whip dangerously.</p> <p>Know how to stop the pressure washer and bleed pressures quickly. Be thoroughly familiar with controls.</p> <p><b>DO NOT</b> leave pressurized unit unattended. Shut off the pressure washer and release trapped pressure before leaving.</p> <p><b>DO NOT</b> operate the unit if you see any fuel, oil or water leaks from the machine. <b>DO NOT</b> resume operation until the unit has been inspected and repaired by a qualified service person.</p> <p>Place unit in a clean, dry, flat area for servicing. Before servicing the unit: turn the unit off, relieve the water pressure from the trigger gun, and allow the unit to cool down. Service in clean, dry, flat area. If applicable, block wheels to prevent unit from moving.</p> <p>Do not move the unit by pulling on the hose.</p>



**!SAVE THESE INSTRUCTIONS!**



# AC-1500EH & AC-2000EH FEATURES



OMHSE105-040705-RZ



## FEATURES LISTING

1. Pneumatic Wheels
2. Protective Rollcage
3. Control Panel
4. Decal- Warning/Caution/Operation
5. Switch-Off/Pump/Burner
6. Center Balanced Lifting Eye
7. Convenient Push/Pull Handle
8. Heat Exchanger Exhaust
9. Wand Holder
10. Decal- Warning: Hot
11. Water Float Tank
12. Detergent Metering Valve
13. High Pressure Pump w/Unloader
14. Pressure Switch
15. Brake
16. Water Inlet
17. Decal- Warning: Risk of Explosion
18. Coil Drain
19. High Pressure Outlet
20. Decal- Data Plate
21. Burner Fuel Tank
22. Decal- Caution: Risk of Fire
23. Burner Air Regulation
24. Decal- Hang Tag
25. 35FT Electrical Cord
26. TEFC Pump Motor
27. High Pressure Hose
28. Trigger Safety Lock
29. Trigger Gun
30. Insulated Lance
31. Adjustable Pressure Dual Lance
32. Nozzle

## SPECIFIC UNIT INFORMATION

**BODY/FRAME:** One piece, welded construction, full roll cage with solid steel axles, lifting hook and convenient push/pull handle.

**PORTABILITY:** Four pneumatic tires for easy mobility.

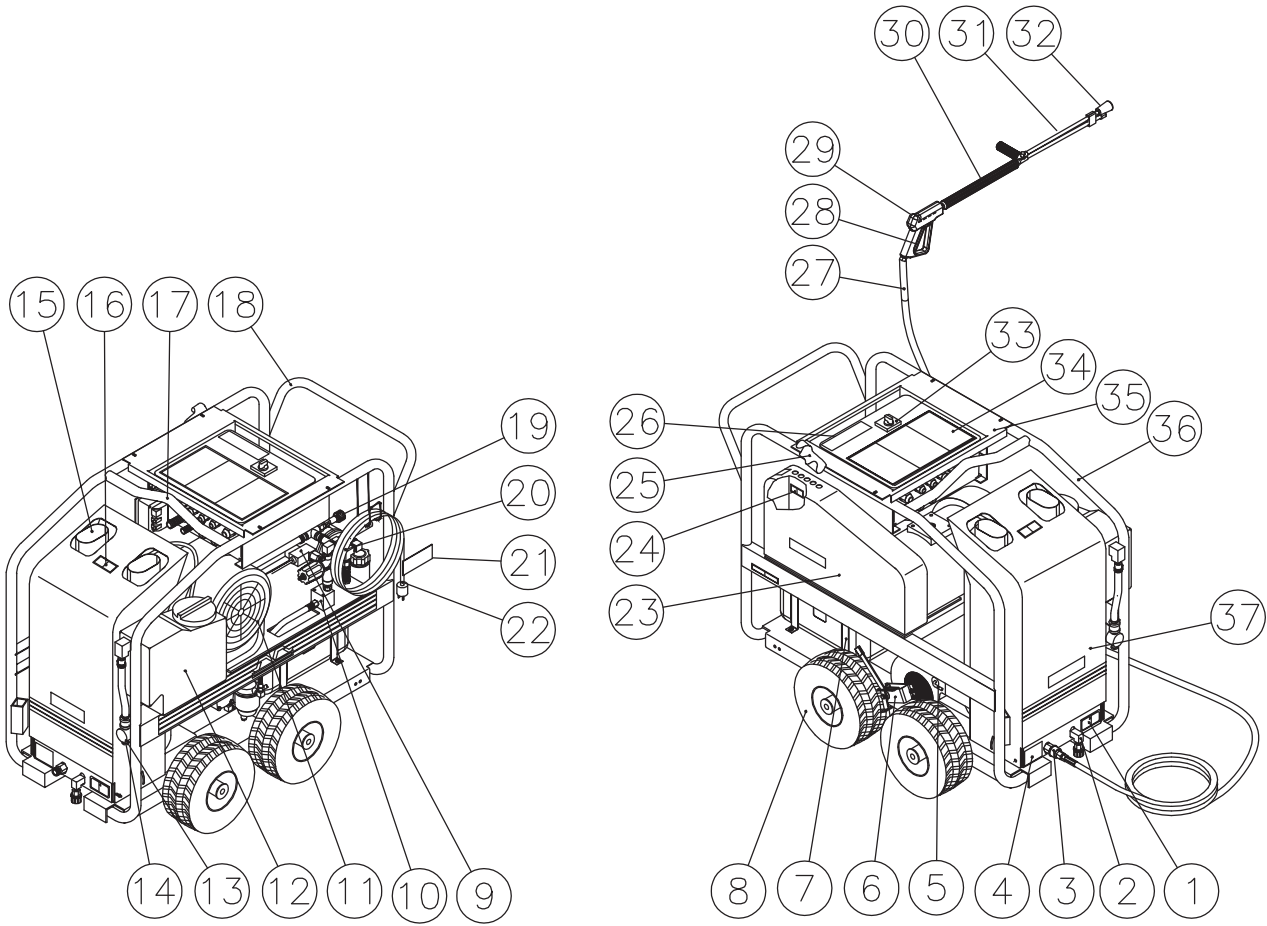
**FINISH:** Powder coated

**HIGH PRESSURE HOSE:** 3/8" x 50'

**TRIGGER GUN ASSEMBLY:** Trigger controlled, safety lock-off, insulated lance.

**DUAL LANCE:** Insulated, with adjustable pressure.

# AC-3000EH & AC-3000EH-3 FEATURES



0MHSE015 GENERIC-032905-RZ

## FEATURES LISTING

1. Decal- Warning: Risk of Explosion
2. Coil Drain
3. High Pressure Outlet
4. Data Plate
5. Burner Air Regulation
6. Brake
7. Burner Fuel Tank
8. Pneumatic Wheels
9. Pressure Switch
10. High Pressure Hose w/Unloader
11. TEFC Pump Motor
12. Water Float Tank
13. Water Strainer w/Bowl
14. Water Inlet
15. Heat Exchanger Exhaust
16. Decal- Warning: Hot
17. Center Balance Lift Eye
18. Convenient Push/Pull Handle
19. Detergent Metering Valve
20. Decal- Caution: Risk of Fire
21. Decal- Hang Tag
22. Electric Cord
23. Beltguard
24. Decal- Warning: Beltguard in Place
25. Wand Holder
26. Decal- Warning: Electric
27. High Pressure Hose
28. Trigger Safety Lock
29. Trigger Gun
30. Insulated Lance
31. Adjustable Pressure Dual Lance
32. Nozzle
33. Switch (On/Off/Burner)
34. Decal- Warning/Caution/Operation
35. Control Panel
36. Protective Roll Cage
37. Protective Cover Assembly

## SPECIFIC UNIT INFORMATION

**BODY/FRAME:** One piece, welded construction, full roll cage with solid steel axles, lifting hook and convenient push/pull handle.

**PORTABILITY:** Four pneumatic four-ply tires for easy mobility.

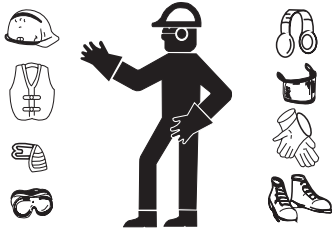
**FINISH:** Powder coated

**HIGH PRESSURE HOSE:** 3/8" x 50'

**TRIGGER GUN ASSEMBLY:** Trigger controlled, safety lockoff, insulated lance.

**DUAL LANCE:** Insulated, with adjustable pressure.

## INSTALLATION & PREPARATION INSTRUCTIONS



### ATTIRE:

Proper attire is essential to your safety. It is advised to utilize whatever means necessary to protect eyes, ears, and skin. Additional safety attire (such as respiratory mask) may be required when using detergent cleaning agents with this washer.



### **DANGER**

**RISK OF EXPLOSION OR FIRE!**  
DO NOT PLACE UNIT IN AN AREA WHERE FLAMMABLE GAS VAPORS MAY BE PRESENT. A SPARK COULD CAUSE AN EXPLOSION OR FIRE!

**RISK OF UNIT BURSTING!**  
DO NOT STORE/OPERATE UNIT IN FREEZING ENVIRONMENTS!



### **WARNING**

**RISK OF ASPHYXIATION!**  
USE THIS PRODUCT ONLY IN WELL VENTILATED AREAS! DO NOT OPERATE IN AN ENCLOSED AREA. THE EXHAUST CONTAINS CARBON MONOXIDE, A POISONOUS, ODORLESS AND INVISIBLE GAS. BREATHING THIS GAS CAN CAUSE SERIOUS INJURY, ILLNESS & POSSIBLE DEATH.

### SET-UP:

1. This unit should only be placed on a level surface to ensure proper lubrication for the water pump while operating. NEVER spray water directly on the unit.
2. Do not use unit in an area:
  - a. with insufficient ventilation.
  - b. where there is evidence of oil or fuel leaks.
  - c. where flammable gas vapors may be present.
3. Engage brake to prevent the unit from moving while operating.
4. Do not allow the unit to be exposed to rain, snow or freezing temperatures. If any part of the unit becomes frozen, excessive pressure may build up in the unit which could cause it to burst resulting in possible serious injury to the operator or bystanders.
5. Pump oil level should be checked before each use. Make certain the oil is on the "Full" mark on the dipstick or in the center of the oil sight glass. If the level appears to be low, fill with pump oil SAE20 or 30.

### POWER CORD CONNECTION:

1. Make certain the motor switch is in the "OFF" position.
2. Ensure electrical supply is identical to the specifications listed on the pressure washer data plate.
3. **GROUNDING INSTRUCTIONS:** This product must be grounded. If it should malfunction or breakdown, grounding provides a path of least resistance for electric current to reduce the risk of electric shock. This product is equipped with a cord having an equipment-grounding conductor and a grounding plug. The plug must be plugged into an appropriate outlet that is properly installed and grounded in accordance with all local codes and ordinances.
4. **DANGER:** Improper connection of the equipment-grounding conductor can result in a risk of electrocution. Check with a qualified electrician or service personnel if you are in doubt as to whether the outlet is properly grounded. Do not modify the plug provided with the product - if it will not fit the outlet, have a proper outlet installed by a qualified electrician. Do not use any type of adaptor with this product.
5. **GROUND FAULT CIRCUIT INTERRUPTER PROTECTION:**
  - a. **SINGLE PHASE:** If this pressure washer is provided with a Ground Fault Circuit Interrupter (GFCI) built into the plug or the power supply cord, test the GFCI each time it is plugged into an outlet according to instructions on the GFCI. DO NOT use the pressure washer if the test fails! The GFCI provides additional protection from the risk of electric shock. Should replacement of the plug or cord become necessary, use only identical replacement parts that include GFCI protection.



### **DANGER**

**RISK OF ELECTROCUTION!**

**THIS UNIT MUST BE CONNECTED TO A PROPERLY GROUNDED OUTLET. DO NOT USE AN ADAPTER OR REMOVE THE THIRD GROUNDING PRONG.**

**CONTINUED**

## INSTALLATION & PREPARATION INSTRUCTIONS

### POWER CORD CONNECTION CONT'D.:

5. b. **SINGLE PHASE:** If this pressure washer is not provided with a GFCI, this pressure washer should only be connected to a receptacle that is protected by a Ground Fault Circuit Interrupter (GFCI) to comply with the National Electric Code (NFPA 70) and to provide additional protection from the risk of electric shock.
  - c. **THREE PHASE:** These pressure washers are not provided with GFCI protection.
6. **EXTENSION CORDS:** *Manufacturer DOES NOT RECOMMEND THE USE OF EXTENSION CORDS!* If use of an extension cord is unavoidable, it must be plugged into a GFCI found in circuit boxes or protected receptacles. When using an extension cord, consult a qualified electrician to determine the proper wire gauge needed for the length of the extension cord.

**SINGLE PHASE:** Use only 3-wire extension cords that have 3-prong grounding-type plugs and 3-pole cord connectors that accept the plug from the product.


**THREE PHASE:** Use only 4 wire extension cords that have 4-prong grounding type plugs and 4-pole cord connectors that accept the plug from the product.


Use only extension cords that are intended for outdoor use. These extension cords are identified by a marking "Acceptable for use with outdoor appliances; store indoors while not in use." Use only extension cords having an electrical rating not less than the rating of the product. Do not use damaged extension cords. Examine extension cord before using and replace if damaged. Do not abuse extension cord and do not yank on any cord to disconnect. Keep cord away from heat and sharp edges. Always connect and disconnect the extension cord from the receptacle before connecting and disconnecting the product from the extension cord.
7. Ensure the area between the pressure washer cord and outlet is kept dry.
8. Insert the male plug into a grounded AC outlet. **DO NOT use an adapter OR remove the grounding plug!!**

---

### BURNER FUEL TANK:

1. Review "Risk of Explosion or Fire" pg. 5, before fueling.
2. Locate the Safety Decals on your unit and heed their warnings.
3. Fill the burner fuel tank with good quality, clean No. 1 or No. 2 fuel oil/ diesel or kerosene. Do not use gasoline!

**WARNING**  
**RISK OF ELECTROCUTION!**  
**TO REDUCE THE RISK OF ELECTROCUTION, KEEP ALL CONNECTIONS DRY AND OFF THE GROUND. DO NOT TOUCH PLUG WITH WET HANDS.**

**DANGER**  
**RISK OF FIRE!**  
**-DO NOT SMOKE WHILE FUELING!**  
**-DO NOT FILL THE FUEL TANK WHILE UNIT IS RUNNING OR HOT. ALLOW UNIT TO COOL FOR TWO MINUTES BEFORE RE-FUELING.**  
**-DO NOT FILL FUEL TANK TO POINT OF OVERFLOWING. ALLOW APPROXIMATELY 1/4" OF TANK SPACE FOR FUEL EXPANSION.**

**WARNING**  
**RISK OF EXPLOSION OR FIRE!**  
**ALWAYS STORE FUEL AWAY FROM THE WASHER WHILE THE UNIT IS RUNNING OR HOT.**

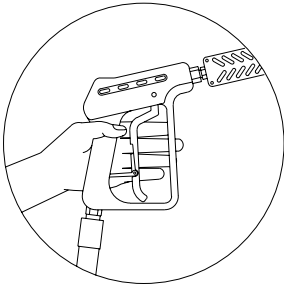
## INSTALLATION & PREPARATION



### WARNING

#### **RISK OF INJECTION CAUSING SEVERE INJURY!**

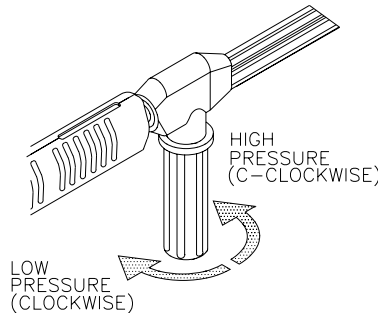
- THE TRIGGER GUN SHOULD ALWAYS BE LOCKED IN THE OFF POSITION WHEN NOT IN USE!
- NEVER LOOK DIRECTLY AT THE NOZZLE UNLESS IT IS DISCONNECTED FROM THE TRIGGER GUN/DUAL LANCE ASSEMBLY!



### ADJUSTABLE PRESSURE DUAL LANCE:

This unit features an Adjustable Pressure Dual Lance which allows the user to select a high or low pressure "fan" spray. Simply rotate the adjustable grip on the dual lance to achieve the desired pressure selection.

1. Selection of high pressure can be achieved by turning the adjustable grip on the Dual Lance assembly **counterclockwise** as shown in the figure below.
2. Selection of low pressure can be achieved by turning the adjustable grip on the Dual Lance **clockwise** as shown in the figure below.



### DUAL LANCE CONNECTION:

1. Be certain the trigger gun is locked in the "OFF" position.
2. Connect the dual lance assembly to the trigger gun assembly at this time (if applicable). Be certain the connection is securely tightened.

### WATER SUPPLY:

1. Select a water supply hose which is a quality grade of garden hose measuring at least 3/4" ID and no longer than 50 feet.
2. If your unit is equipped with a water strainer, ensure it is clean and free of any obstructions. Periodic cleaning of the water strainer will help prevent pump problems. As a strainer becomes obstructed, it restricts proper flow of water to the pump. This can result in cavitation which will cause premature failure of pump packings.
  - a. Unscrew the strainer bowl from the unit.
  - b. Remove strainer screen and clean or replace.
3. Connect one end of the water supply hose to the water inlet of the unit. Connect the other end of the hose to your pressurized water supply.

**NOTE:** *If there is a high mineral content in your water, it is recommended that a water softener be used to prevent the possibility of excessive scale buildup inside the heat exchanger coil.*

4. Follow the incoming water requirements listed below:
  - a. Water pressure must be between a minimum of 20 pounds per square inch (PSI) and a maximum of 125 PSI.
  - b. Incoming GPM must be approximately one gallon more than the outgoing GPM stated on the pressure washer nameplate. (You can check GPM by timing how long it takes to fill a 5 gallon container.)
  - c. Incoming water temperature must not exceed 125°F. Excessive pump damage may result if the water temperature exceeds this acceptable level.
5. Never allow the unit to operate without the incoming water line attached and the water supply completely turned on.



## INSTALLATION & PREPARATION

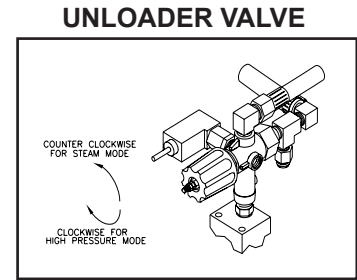
### UNLOADER:

#### Standard Models:

The unloader has been preset at the factory.

#### Steam Option Models:

The unloader has an adjustment knob which has a minimum/maximum setting. Move the unloader clockwise to the maximum setting for Cold/Hot water operation. Move counterclockwise to minimum setting for Steam operation.



---

### HEAT DUMP VALVE:

To ensure the water temperature does not exceed acceptable levels, never allow the pressure washer to operate in the bypass mode (with the unit running and the trigger closed) for more than three minutes.

A heat dump valve has been added to this unit to protect the pump. This valve will open and release water if the water temperature in the pump has exceeded 140° F. This will allow fresh, cool water to enter the system, therefore preventing premature failure of pump packings.

---

### PRE-START INSPECTION PROCEDURES:

Before starting the unit, perform the following procedures:

1. Inspect the electrical cords for cuts. If a cut is found, DO NOT TOUCH OR USE CORD! Replace cord before starting unit.
2. Check the oil level in the pump.
3. Inspect the water inlet strainer. Clean or replace if necessary. See "Water Supply", #2, pg 14.
4. Check all hose connections to ensure they are securely tightened.
5. Inspect for system water leaks, oil leaks and fuel leaks. If a fuel leak is found, DO NOT START UNIT! See "Risk of Explosion or Fire", pg. 5. Be sure that all damaged parts are replaced and that the mechanical problems are corrected prior to operation of the unit. If you require service, contact Customer Service.
6. Inspect high pressure hoses for kinking, cuts and leaks. If a cut or leak is found, DO NOT USE HOSE! Replace hose before starting unit. See "Risk of Injection or Severe Cutting Injury", pg. 7. Be sure that all damaged parts are replaced and that the mechanical problems are corrected prior to operation of the unit. If you require service, contact Customer Service.

# **WARNING**

**THE FOLLOWING PAGES CONTAIN OPERATING AND MAINTENANCE INSTRUCTIONS**

**DO NOT ATTEMPT TO OPERATE THIS PRESSURE WASHER UNTIL YOU HAVE READ AND UNDERSTOOD ALL SAFETY PRECAUTIONS AND INSTRUCTIONS LISTED IN THIS MANUAL.**

**INCORRECT OPERATION OF THIS UNIT CAN CAUSE SERIOUS INJURY!!**

**DO NOT ALTER OR MODIFY THIS EQUIPMENT IN ANY MANNER!**



## OPERATING INSTRUCTIONS

### FLUSHING THE SYSTEM:

This unit has a steel coil which, after setting, will cause the water remaining in the coil from the previous usage to turn brown or black. This water must be flushed from the system before start-up. This procedure should be performed **without** the high pressure hose, gun and dual lance assembly installed.

1. Turn on the water supply.
2. Move the switch to the "Pump" position. Low pressure water will begin flowing from the water outlet. This allows the unit to flush any particles from the system. The unit is flushed when the water is clear.
3. Once the system is flushed, move the switch to the "OFF" position and connect the high pressure hose to the water outlet of the unit.
4. Connect the trigger gun and dual lance assembly to the high pressure hose.



### CAUTION

#### RISK OF UNIT DAMAGE.

BE CERTAIN THE HOSE, GUN & DUAL LANCE ASSY. ARE NOT CONNECTED TO THE UNIT WHILE FLUSHING THE SYSTEM. FLUSHING ALLOWS MINERAL DEPOSITS TO BE RELEASED FROM THE SYSTEM WHICH WOULD OBSTRUCT OR DAMAGE THE GUN AND NOZZLE ASSEMBLY RESULTING IN COSTLY REPAIRS.

### START-UP/COLD WATER OPERATION:

1. Refer to the "Safety Precautions" pgs. 4-7 before starting the unit.
2. Locate the Safety Decals on your unit and heed their warnings.
3. Ensure that the switch is in the "OFF" position.
4. Pointing the trigger gun in a safe direction, unlock the trigger gun and squeeze the trigger. Brace yourself for possible gun kickback when the pump starts.
5. Move the switch to the "Pump" position.
6. Once the unit has started, perform the following procedures with the gun open:
  - a. Inspect for system water leaks, oil leaks and fuel leaks. If a fuel leak is found, TURN UNIT OFF IMMEDIATELY! See "Risk of Explosion or Fire", pg. 5. Be sure that all damaged parts are replaced and that the mechanical problems are corrected prior to operation of the unit. If you require service, contact Customer Service.
  - b. Inspect high pressure hoses for kinking, cuts and leaks. If a cut or leak is found, DO NOT TOUCH HOSE AT LEAK!!! TURN UNIT OFF IMMEDIATELY! Replace hose before starting the unit. See "Risk of Injection or Severe Cutting Injury" pg. 6. Be sure that all damaged parts are replaced and that the mechanical problems are corrected prior to operation of the unit. If you require service, contact Customer Service.
7. At this point, the unit is operating as a cold water pressure washer. Trigger the gun several times and try adjusting the water pressure by rotating the grip on the dual lance. NEVER place hand or fingers in front of the nozzle or look directly into the nozzle! High pressure water creates a risk of severe injury!
8. Do not allow unit to operate in bypass mode (with trigger closed) for more than three minutes without triggering the gun. Failure to follow this simple rule can cause premature failure of pump packings, resulting in costly pump repair.

**NOTE:** *If this unit is equipped with an Auto Start/Stop feature, the pressure washer will shutdown if the gun is not triggered after a designated amount of time. The pressure washer will start again once the gun is triggered. The Auto Start/Stop feature is preset at the factory for shutdown at 90 seconds. It can be adjusted by an Authorized Service Technician to shutdown from no usage after a minimum of 3 seconds to a maximum of 5 minutes.*

9. Your pressure washer can deliver high pressure spray and a variety of spray patterns using cold water. If you wish to use the Hot Water, Steam application or Cleaning with Detergents, see page 18 for the correct procedures.



### WARNING

#### RISK OF INJECTION CAUSING SEVERE INJURY!

-KEEP CLEAR OF NOZZLE! NEVER PLACE HAND OR FINGERS IN FRONT OF NOZZLE!  
-DO NOT DIRECT DISCHARGE STREAM AT PEOPLE OR PETS!  
-AUTO START/STOP FEATURE WILL SHUTDOWN THE PRESSURE WASHER UNTIL GUN IS TRIGGERED. TO PREVENT ACCIDENTAL HIGH PRESSURE DISCHARGE, DO NOT LEAVE UNIT UNATTENDED WHILE IN THIS MODE.



### CAUTION

#### RISK OF DAMAGE.

DONOT ALLOW SPRAY PATTERN TO REMAIN ON A FIXED AREA FOR AN EXTENDED PERIOD OF TIME. POSSIBLE DAMAGE MAY OCCUR TO THE AREA.

## OPERATING INSTRUCTIONS

### HOT WATER OPERATION:

1. Follow the steps 1-8 outlined for "START-UP/COLD WATER OPERATION".
2. Move the switch to the "Burner" position. On initial start-up, water will begin turning hot in approximately 20 seconds and will reach maximum temperature in approximately 2-1/2 minutes, provided the trigger remains squeezed. The burner will stop firing when the trigger is released.

**NOTE:** While spraying, it is normal for the burner to fire intermittently. The high limit switch will cause combustion to cease when the temperature of the discharged water exceeds the temperature setting of the switch. Combustion will begin again when the water temperature drops below the minimum setting.

**At this point, the unit is operating as a hot water pressure washer. Be extremely cautious when adjusting the pressure and controlling the trigger gun/dual lance assembly to avoid the possibility of burns.**

### STEAM OPERATION:

1. Follow steps 1-8 outlined for "STARTUP/COLD WATER OPERATION".
2. Ensure the quick-connect at the end of the dual lance is cool enough to touch, then remove the high pressure nozzle and replace it with the steam nozzle. Remove the high pressure hose and replace it with the steam hose.
3. Turn unloader knob completely counterclockwise to the minimum setting.
4. Turn the switch to "Steam".

**NOTE:** The burner will shut down if the switch is moved to "Steam" without first setting the unloader to minimum or operating in the high pressure mode.)

**At this point, the unit will operate as a steam pressure washer. Be extremely cautious when adjusting the pressure and controlling the trigger gun/dual lance assembly to avoid the possibility of burns.**

### CLEANING WITH DETERGENTS:

**NOTE:** This feature is designed for use with mild detergents only. Since the cleaning solution travels through various parts of the pressure washer, do not use corrosives as they will cause extensive damage as well as pose a considerable safety hazard.

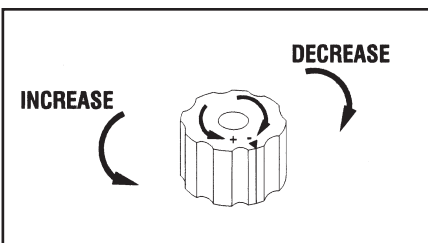
1. Refer to "Risk of Bodily Injury / Detergents" pg. 7. Be certain to wear protective safety attire as stated on pg. 12.
2. Prepare detergent solution according to label directions. (Never pump acids, alkalines, abrasive fluids or solvents through the unit. Due to the unknown and often corrosive characteristics of many detergents commonly used in the pressure washer cleaning industry, it is recommended to use only mild detergents with this unit.)
3. Fully immerse the *strainer end* of the clear vinyl detergent hose into the detergent solution.
4. Adjust the amount of detergent desired. Turn the metering valve completely counterclockwise to set at maximum siphon rate.
5. To apply solution; unlock the trigger gun and squeeze the trigger. In a few moments a detergent/water mixture will exit the nozzle. Start spraying the lower portion of the surface being cleaned and move up, using long overlapping strokes. Applying from the bottom up helps avoid streaking. Allow to soak briefly. Avoid working on hot surfaces or in direct sunlight to minimize the chances of the detergent drying, which may result in damaging surfaces. Be certain to apply cleaning solution to a small section at a time.
6. To rinse; lock the trigger gun in the "OFF" position, turn the detergent metering valve to the "OFF" position. Unlock the trigger gun and spray. It will take about 30 seconds to purge all detergent from the line. For best rinsing results, start at the top and work down.
7. Siphon a gallon of water through the detergent injection system after each use. This prevents the possibility of corrosion or detergent residue causing mechanical problems during the next use.

### **WARNING**

#### **RISK OF BURN!**

**THE WATER TEMPERATURE COULD BECOME VERY HOT DURING HOT WATER/STEAM OPERATION. BE CAUTIOUS WHEN ADJUSTING PRESSURE OR CONTROLLING THE TRIGGER GUN/DUAL LANCE ASSEMBLY.**


### DETERGENT METERING VALVE



## OPERATING INSTRUCTIONS

### SHUTDOWN:

1. Move the switch to the "Pump" position.
2. Squeeze the trigger and discharge the water for a period of three minutes to cool the heat exchanger and high pressure hose. (Insufficient cool down period of the high pressure hose will cause excessive wear and eventual rupturing of the hose.)
3. Move the switch to the "OFF" position. (Auto Start/Stop Option will shut the unit down, but total shutdown requires switch to be moved to the "OFF" position.)
4. Turn off the water supply and trigger the gun momentarily to relieve trapped pressure.
5. Disconnect and drain the high pressure hose, gun, and dual lance. Wipe the unit clean and store in a non-freezing environment.

 <b>DANGER</b> <b>RISK OF INJECTION CAUSING SEVERE INJURY!</b> -AUTO START/STOP FEATURE WILL SHUTDOWN THE PRESSURE WASHER UNTIL THE GUN IS TRIGGERED. TOTAL SHUTDOWN REQUIRES "OFF/PUMP/BURNER/STEAM" SWITCH TO BE MOVED TO THE OFF POSITION. -TO PREVENT ACCIDENTAL HIGH PRESSURE DISCHARGE, DO NOT LEAVE UNIT UNATTENDED UNTIL "OFF/PUMP/BURNER/STEAM" SWITCH IS IN THE OFF POSITION.
--

## STORAGE & MAINTENANCE INSTRUCTIONS

### SPECIFIC MAINTENANCE:

**PUMP:** Change the pump oil after the first 50 hours of operation. After initial change, every 3 months or 250 hour intervals are recommended. If oil appears dirty or milky, changes may be required in greater frequency. Use pump oil SAE20 or 30 and fill only to the center of the oil sight glass. DO NOT overfill.

**QUICK COUPLERS:** There are o-ring seals inside the couplers which will deteriorate. To replace, simply install a replacement o-ring to correct the leak. (Additional o-rings can be purchased from your dealer.)

**NOZZLE:** Water flow through the spray nozzle will erode the orifice, making it larger, resulting in a pressure loss. Nozzles should be replaced whenever pressure is less than 85% of the maximum. The frequency of replacement will depend upon such variables as mineral content in the water and number of hours the nozzle is used.

**FUEL WATER SEPARATOR:** The fuel filter has a built in water separator. Occasionally the water has to be drained from the separator. Follow the procedures listed below:

1. Check the collection bowl daily.
2. Ensure the unit is off and place an oil catch basin under the fuel cartridge.
3. Loosen the drain plug to allow the fuel/water contaminants to flow into the catch basin.
4. Retighten the drain plug when completed.
5. Dispose of drainage according to environmental regulations in your area.

**BURNER AIR ADJUSTMENT:** The air shutter has been factory preset for proper operation between sea level and 2000 feet elevation at standard conditions (60°F ambient water and air temperatures). To assure maximum combustion efficiency at colder temperatures and higher altitudes, it will be necessary to adjust the air supply to the combustion chamber. A smoke spot test is recommended during any air shutter adjustment. This will aid in maximizing the burner efficiency and avoid the inefficient operation and excessive sooting of the combustion chamber.

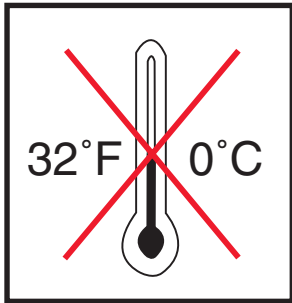
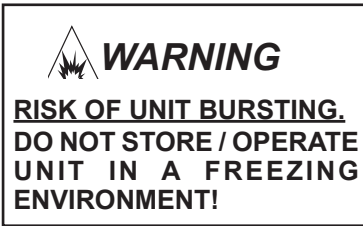
1. The machine must be running and the burner on.
2. Take a smoke spot test to determine if more or less air is required for proper combustion.
  - a. If the test is greater than a #3 smoke, turn the shutter arm counterclockwise to increase the air flow into the combustion chamber.
  - b. If the test is yellowish in color, turn the shutter arm clockwise to decrease the air flow into the combustion chamber.
3. Hold onto the air shutter adjusting arm and loosen the locking nut. Move the shutter in 1/8" increments and retighten the locking nut after each 1/8" movement.
4. Trigger the gun on and off slowly to make sure there is proper ignition. Slight or no puffing on the ignition, and a smoke spot test of 0-3 is good.
5. Repeat steps 2 and 3 until step 4 is attained.

**LEAKS:** Promptly eliminate any leaks found in the pumping system by removing suspect parts, applying thread sealant to the threads and reinstalling.

**NOTE:** If using teflon tape, be certain no tape gets inside any plumbing to prevent the possibility of a plugged spray nozzle.

## STORAGE & MAINTENANCE INSTRUCTIONS

### WINTERIZING:



1. For storage and transportation purposes in subfreezing ambient temperatures, it will be necessary to winterize this unit. This unit must be protected to the lowest incurred temperature for the following reasons:
  - a. If any part of the pumping system becomes frozen; excessive pressure may build up in the unit which could cause the unit to burst resulting in possible serious injury to the operator or bystanders.
  - b. The pumping system in this unit may be permanently damaged if frozen. **FREEZE DAMAGE IS NOT COVERED BY WARRANTY.**If you must store your unit in an area where the temperature may fall below 32°F, you can protect your unit by following the procedure outlined below.

1. Gather the following items:
  - a. Two 5 gallon containers.
  - b. One gallon of antifreeze. (Use an environmentally safe antifreeze.)
  - c. Water supply.
  - d. Three foot hose, 1/2-3/4 I.D. with a 3/4 inch male garden hose fitting.
2. Procedure:
  - a. To start winterizing, unit must be run according to the "Start-up Cold Water Operation" listed on page 18.
  - b. After running, shut off the unit and water supply.
  - c. Relieve system pressure by pointing the trigger gun in a safe direction and squeezing the trigger until water flow ceases to exit the Dual Lance Assy.
  - d. Lock the trigger gun in the OFF position and adjust the Dual Lance to the low pressure mode.

**NOTE:** Proper winterizing is based on the recommended manufacturer's instructions listed on the "Protection Chart" shown on the back label of most antifreeze containers.

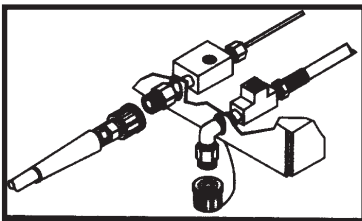
- e. Remove lid from float tank.
- f. Start the unit and squeeze the trigger gun until the float tank is almost empty.
- g. Stop the unit.
- h. Mix antifreeze and water in a container that can be used for pouring the solution into the float tank.
- i. Start the unit. Point the trigger gun into the empty container. Trigger the gun until the antifreeze begins to exit the trigger gun. Continue cycling the trigger gun several times until all the antifreeze mixture is siphoned from the container.
- j. Stop the unit.
- k. Disconnect the hose and trigger gun from the unit and drain any excess antifreeze back into the 5 gallon container.
- l. Drain hose, trigger gun and dual lance assembly and store with the unit in a safe non-freezing area.
- m. Store antifreeze solution for next use or dispose of according to state EPA laws.

### 3. OPTIONAL PROCEDURE:

- a. Shut the unit and water supply off.
- b. Relieve system pressure by pointing the trigger gun in a safe direction and squeezing the trigger until water flow ceases to exit the nozzle.
- c. Disconnect and drain the hose, trigger gun and dual lance assembly.
- d. Remove the coil drain plug from the heat exchanger inlet.
- e. Start the unit and allow it to run until all the water exits the unit. Once the water has stopped flowing from the unit, turn off.

**NOTE:** When using this procedure, use caution as ice chips can form from drops of water which could cause the unit to burst if starting before completely thawed.

COIL DRAIN PLUG



## TROUBLESHOOTING

SYMPTOM	PROBABLE CAUSE	REMEDY
Pump motor will not run.	Circuit overload.	Check wall breaker or fuse.
	GFCI tripped.	Reset.
	Motor overload.	Reset thermal overload button on pump motor or inside electrical control panel.
	Auto Start/Stop Option in use.	Point gun in a safe direction and squeeze trigger.
No discharge at nozzle when trigger mechanism is squeezed.	Inadequate water supply.	Ensure hose is 3/4" diameter and incoming water supply is turned on.
Low or fluctuating pressure.	Kink in water inlet hose.	Remove kink.
	Kink in high pressure discharge hose.	Replace kinked high pressure hose.
	Water inlet screen obstructed.	Remove screen, clean or replace.
	Pump sucking air. (Prime eliminated)	Tighten all water intake connections Eliminate leaks in intake line.
	Adjustable Grip on Dual Lance is not in high pressure mode.	Turn grip <b>counterclockwise</b> to move to high pressure.
	Obstructed or worn spray nozzle.	Remove, clean or replace.
	Damaged or obstructed valve assembly on pump.	Remove, clean or replace.
	Pump packings worn.	Replace packings.
	Unloader/Bypass valve not operating correctly.	Repair or replace.
	Scale build-up in heat exchanger coil.	Descale coil.
Water is leaking from Heat Dump Valve.	Water inlet temperature is too high.	Incoming water temperature must be less than 125°.
	Water temperature is too high.	Do not allow unit to operate in bypass mode (with the trigger gun closed) for more than three minutes.
	Defective valve.	Replace.
Oil appears milky or foamy.	Water in oil.	Change pump oil. Fill to proper level.
Oil leaking from unit.	Worn seals or o-rings.	Contact Customer Service.
Detergent will not siphon .	Detergent strainer is not completely submerged in detergent solution.	Check, submerge if necessary.
	Detergent strainer obstructed.	Inspect, clean or replace.
	Detergent hose cut, obstructed or kinked.	Inspect, clean or replace.
	Detergent adjusting knob turned to closed position.	Open adjusting knob. Refer to "Cleaning with Detergents" pg. 18.

## TROUBLESHOOTING

SYMPTOM	PROBABLE CAUSE	REMEDY
Water flows back into detergent container.	Check valve missing or corroded.	Remove, clean or replace.
Water flows from the nozzle when the trigger gun is locked in the "OFF" position.	Trigger gun is malfunctioning.	Repair or replace.
Water is leaking under heat exchanger coil.	Coil drain plug is not installed.	Install.
	Safety Relief device is relieving caused by an unloader or pressure switch malfunction.	<ol style="list-style-type: none"> <li>1. Detect and correct unloader or pressure switch problem.</li> <li>2. Replace safety relief device. NEVER run unit without safety relief device. Doing so can cause an explosion!</li> </ol>
Burner will not ignite	Switch is not in "Burner" position.	Check switch position.
	No voltage.	Contact Customer Service.
	Out of fuel.	Refuel. (Reset burner primary control on cad cell options.)
	Fuel pickup screen obstructed.	Consult Service.
	Trigger gun is closed.	Open trigger gun for pressure.
	Pressure switch override.	Pressure should be over 250 PSI to allow burner to come on.
	High limit switch override.	Unit will automatically reignite when cool.
	Flexible coupler broken.	Replace.
	Dirty or clogged fuel filter/water sep.	Drain or replace as necessary.
	Fuel pump sucking air.	Tighten all fuel intake connections. Eliminate leaks in intake line.
	Fuel pump inoperative.	Check pressure, replace if needed.
	Dirty or clogged fuel nozzle.	Replace.
	Improper burner air adjustment.	Adjust as explained on page 19.
	Ignition transformer failure.	Replace.
	Ignition electrodes damaged or worn.	With unit running and trigger gun closed, look through burner sight glass to ensure there is sparking across electrodes.
	Fuel solenoid valve failure.	Replace.
High PSI mode.	Verify Burner/Steam switch is in "Burner" mode.	
Steam Option: Steam Mode.	Verify Burner/Steam switch is in "Steam" mode.	
Steam mode: Pump Head PSI too high.	Reduce pressure to 350PSI.	
Cad Cell Option: Primary control lock-out.	Reset.	

## TROUBLESHOOTING

SYMPTOM	PROBABLE CAUSE	REMEDY
Burner motor will not run.	Switch is not in "Burner" position.	Check switch position.
	No voltage.	Contact Customer Service.
	Motor overload.	Motor automatically resets when cool.
	Fuel pump siezed.	Allow motor to cool. Repair or replace.
	Blower Fan seized.	Allow motor to cool. Repair or replace.
Burner runs erratically.	Water in the fuel oil.	Drain fuel filter/water separator. Drain fuel tank, and replace with clean fuel.
	Dirty fuel filter/water separator.	Replace element.
	Dirty fuel nozzle.	Replace.
	Fuel pickup screen obstructed.	Consult Service.
	Improper air adjustment setting.	Adjust as explained on page 19.
	Fuel pump malfunctioning.	Replace.
Burner runs, but will not heat.	Poor or improper fuel supply.	Check fuel to ensure it is correct. Drain tank and replace filter if necessary and refill with proper fuel.
	Low fuel pump pressure.	Check fuel pump pressure, adjust or replace if needed.
	Dirty fuel nozzle.	Replace.
	Fuel pickup screen obstructed.	Consult Service.
	Improper air adjustment setting.	Adjust as explained on page 19.
	Scale build up in heat exchanger coil.	Consult your Customer Service.
Burner discharges white smoke.	Low on fuel.	Refuel. If white smoke persists, consult Customer Service.
	Poor or improper fuel supply.	Check fuel pump pressure, adjust or replace if needed.
	Dirty fuel nozzle.	Replace.
	Fuel pickup screen obstructed.	Consult Service.
	Improper air adjustment setting.	Adjust as explained on page 19.
	Cold combustion chamber start-up.	Run burner for several minutes.
	Excessive air supply.	Adjust as explained on page 19.
Burner discharges black smoke.	Insufficient air supply.	Adjust as explained on page 19.
	Combustion chamber loaded with unburned fuel.	Consult your Customer Service.

## MAINTENANCE CHART

PROCEDURE	DAILY	3 MONTHS	6 MONTHS	9 MONTHS	12 MONTHS
Inspect electrical cord	X				
Test GFCI	X				
Test voltage and amp draw					X
Check water pump oil level	X				
Change water pump oil **		X	X	X	X
Oil leak inspection	X				
Fuel leak inspection	X				
Water leak inspection	X				
Hose inspection	X				
Water inlet filter inspection	X				
Check fuel filter/water separator	X				
Inspect belt		X	X	X	X
Replace high pressure nozzle***		X	X	X	X
Replace fuel filter/water separator					X
Inspect fuel pump filter*					X
Replace fuel nozzle*					X
Check burner air adjustment		X	X	X	X
Check burner electrodes*					X
Test water pressure*		X	X	X	X
Test fuel pressure*		X	X	X	X
Test water temperature*		X	X	X	X
Descale coil****					X

\* Must be performed by an authorized service technician.

\*\* The pump oil must be changed after the first 50 hours of operation and every 250 hours or 3 months, whichever comes first.

\*\*\* High pressure nozzle should be replaced whenever pressure is less than 85%.

\*\*\*\* Scale build-up will vary with mineral content in the water and amount of usage. Descaling can range from weekly to yearly maintenance.



## STATEMENT OF WARRANTY

The manufacturer warrants all parts, (except those referred to below), of your new hot water pressure washer to be free from defects in materials and workmanship during the following periods:

For Five (5) Years from the date of original purchase:  
High Pressure Pump

For Three (3) Years from the date of original purchase:  
Heat Exchanger Coil

For Two (2) Years from the date of original purchase:  
Frame  
Guard or Shields  
Plumbing  
Pulleys

For One (1) Year from the date of original purchase:  
Selector Switches  
Starter Contactor  
Adjustable Thermostat  
GFCI Cord  
Overload

For Six (6) months from the date of original purchase:  
Ignition Transformer  
Burner Motor

For Ninety (90) days from the date of original purchase:  
Regulating Valve  
Safety Switches  
Fuel Pump  
Electrodes  
Fuel solenoid

For Thirty (30) days from the date of original purchase:  
High Pressure Hose  
Strainers / Filters  
Trigger Gun  
Dual Lance

Defective parts not subject to normal wear and tear will be repaired or replaced at our option during the warranty period. In any event, reimbursement is limited to the purchase price paid.

## EXCLUSIONS

1. The motor is covered under separate warranty by its respective manufacturer and is subject to the terms set forth therein.
2. Normal wear parts:  
Pump Packings  
Pump Valves  
Fuel Filters  
Spray Nozzles  
Detergent Valves  
Quick Couplers
3. This warranty does not cover parts damaged due to normal wear, misapplication, misuse, operation at other than recommended speeds, pressures or temperature. Parts damaged or worn because of the use of caustic liquids or by operation in abrasive or corrosive environments or under conditions causing pump cavitation are not warranted. Failure to follow recommended operating and maintenance procedures also voids warranty.
4. The use of other than genuine repair parts will void warranty. Parts returned, prepaid to our factory or to an Authorized Service Center will be inspected and replaced free of charge if found to be defective and subject to warranty. There are no warranties which extend beyond the description of the face hereof. Under no circumstances shall the manufacturer bear any responsibility for loss of use of the unit, loss of time or rental, inconvenience, commercial loss or consequential damages.

For Service or Warranty Consideration, contact  
Mi-T-M® Corporation, 8650 Enterprise Drive, Peosta, IA 52068  
1-877-JD-KLEEN / (1-877-535-5336) Fax 563-556-1235  
Monday - Friday 8:00 a.m. - 5:00 p.m. CST

## TABLE DES MATIÈRES

<b>INTRODUCTION</b> .....	<b>27</b>
<b>INSTRUCTIONS IMPORTANTES DE SÉCURITÉ</b> .....	<b>28-34</b>
RISQUE DE DÉCHARGE ÉLECTRIQUE OU D'ÉLECTROCUTION .....	28-29
RISQUE D'EXPLOSION OU D'INCENDIE .....	30
RISQUE D'ASPHYXIE .....	31
RISQUE DE PIQÛRE OU DU COUPURE GRAVE .....	31
RISQUE DE BRÛLURES.....	32
RISQUE D'ÉCLATEMENT .....	32
RISQUE PROVENANT DES PIÈCES MOBILES .....	32
RISQUE DE BLESSURES CORPORELLES.....	33-34
<b>CARACTERISTIQUES</b> .....	<b>36-39</b>
CARACTÉRISTIQUES DU AC-1500EH & AC-2000EH .....	36-37
CARACTÉRISTIQUES DU AC-3000EH & AC-3000EH-3 .....	38-39
<b>INSTRUCTIONS D'INSTALLATION ET DE PRÉPARATION</b> .....	<b>40-43</b>
TENUE.....	40
INSTALLATION .....	40
RACCORDEMENT DU CORDON DE SECTEUR.....	40-41
RÉSERVOIR DE CARBURANT.....	41
DOUBLE LANCE A PRESSION REGLABLE.....	42
RACCORDEMENT DE LA DOUBLE LANCE .....	42
APPROVISIONNEMENT EN EAU.....	42
DÉCHARGEUR .....	43
SOUPAPE DE DÉCHARGE DE LA CHALEUR .....	43
PROCÉDURES d'INSPECTION ET DE PRÉ DÉMARRAGE.....	43
<b>CONSIGNES D'UTILISATION</b> .....	<b>45-48</b>
VIDANGE DU SYSTÈME .....	45
MISE EN ROUTE/ FONCTIONNEMENT A L'EAU FROIDE .....	45-46
FONCTIONNEMENT A L'EAU CHAUDE .....	46
FONCTIONNEMENT A LA VAPEUR .....	47
NETTOYAGE AVEC DES DÉTERGENTS.....	47
ARRÊT .....	48
<b>INSTRUCTIONS DE STOCKAGE ET D'ENTRETIEN</b> .....	<b>48-51</b>
ENTRETIEN PARTICULIER .....	48-49
PRÉPARATION DE L'APPAREIL POUR L'HIVER.....	50-51
<b>DÉPANNAGE</b> .....	<b>52-56</b>
<b>TABLEAU D'ENTRETIEN</b> .....	<b>57</b>
<b>NOTE</b> .....	<b>58</b>
<b>BON DE DE GARANTIE</b> .....	<b>59</b>



## INTRODUCTION

Félicitations de l'achat de votre nouveau nettoyeur haute pression! Vous pouvez être assuré que votre nouveau nettoyeur haute pression a été construit et conçu avec qualité et performance à l'esprit. Chaque composant a été rigoureusement testé afin d'atteindre le plus haut niveau de fiabilité.

Le manuel de l'utilisateur a été dressé pour que vous en retiriez le meilleur parti. Par la lecture et l'application des mesures simples de sécurité, d'installation, d'opération, d'entretien et de dépannage décrites dans ce manuel, votre nouveau nettoyeur haute pression fonctionnera sans faille pendant de nombreuses années. Le contenu de ce manuel est basé sur la dernière information disponible du produit au moment de la publication. Le fabricant se réserve le droit d'effectuer des changements de prix, de couleur, de matériaux, d'équipement, de caractéristiques ou de modèles à tout moment sans préavis.

### ! IMPORTANT !

Ces paragraphes sont entourés par un "ENCADRÉ ALERTE SÉCURITÉ". Cet encadré est utilisé pour indiquer et souligner les avertissements de sécurité qui doivent être suivis en utilisant ce nettoyeur haute pression.

En plus des avertissements de sécurité, des "mots d'alerte" sont utilisés pour indiquer le degré ou niveau de risque. Les "mots d'alerte" utilisés dans ce manuel sont les suivants:

**DANGER:** Indique une situation au danger imminent qui, si elle n'est pas évitée, ENTRAINERA la mort ou des blessures graves.

**AVERTISSEMENT:** Indique une situation potentiellement dangereuse qui, si elle n'est pas évitée, POURRAIT entraîner la mort ou des blessure graves.

**ATTENTION:** Indique une situation potentiellement dangereuse, qui, si elle n'est pas évitée, PEUT entraîner des dommages corporels mineurs ou modérés.



Les symboles placés à gauche de ce paragraphe sont des "symboles d'alerte de sécurité". Ces symboles sont utilisés pour souligner les objets ou les procédures qui pourraient être dangereux pour vous ou tout autre personne utilisant cet équipement.

**FOURNISSEZ TOUJOURS UNE COPIE DE CE MANUEL A TOUTE PERSONNE UTILISANT CET EQUIPEMENT. LISEZ TOUTES LES INSTRUCTIONS AVANT D'UTILISER CE NETTOYEUR ET SOYEZ PARTICULIEREMENT ATTENTIF AUX "AVERTISSEMENT DE SÉCURITÉ" POUR EMPECHER LA POSSIBILITÉ DE BLESSURES POUR L'UTILISATEUR**

Une fois l'appareil déballé, écrivez immédiatement le numéro de série de votre appareil dans l'espace ci-dessous

**NUMERO DE SÉRIE** \_\_\_\_\_

Assurez-vous qu'il n'y a pas de signes de dommages évidents ou cachés suite au transport. En cas de dommage, remplissez immédiatement une réclamation avec la compagnie de transport. Assurez-vous que toutes les pièces endommagées sont remplacées et les problèmes mécaniques et électriques corrigés avant l'utilisation de l'appareil. Si vous avez besoin d'assistance, entrez en contact avec votre service clientèle.

Mi-T-M® Corporation, 8650 Enterprise Drive, Peosta, IA 52068  
1-877-JD-KLEEN / (1-877-535-5336) Fax 319-556-1235  
Lundi- Vendredi 8:00- 17:00 CST (Heure Centrale)


Veillez avoir les informations suivantes disponibles pour toute intervention:

1. Numéro de modèle
2. Numéro de série
3. Date et lieu d'achat

## INSTRUCTIONS IMPORTANTES DE SÉCURITÉ

**AVERTISSEMENT:** Lors de l'utilisation de ce produit, des précautions de base doivent toujours être observées, incluant les suivantes:


LIRE TOUTES LES INSTRUCTIONS AVANT UTILISATION DU NETTOYEUR A PRESSION

RISQUE	CONSÉQUENCE POTENTIELLE	PRÉVENTION
<p><b>RISQUE DE DÉCHARGE ÉLECTRIQUE OU D'ÉLECTROCUTION</b></p> 	<p>Des risques de mort ou de blessures graves peuvent survenir si la machine n'est pas reliée à la terre correctement. Votre nettoyeur haute pression est alimenté par électricité et pourrait provoquer une décharge électrique ou une électrocution si il n'est pas utilisé correctement.</p> <p>Un choc électrique peut se produire par le fil électrique</p>	<p>Cet appareil doit être relié à la terre. Assurez-vous que le nettoyeur haute pression est équipé d'un GFCI (Disjoncteur Différentiel à fuite de terre) dans le cordon d'alimentation d'énergie. Si ce n'est pas le cas, le nettoyeur haute pression doit être branché à un réceptacle qui est protégé par un GFCI. Débranchez entre les utilisations.</p> <p>Si votre appareil est équipé d'un GFCI, ne laissez pas tomber le GFCI car des dommages pourraient en résulter. Si vous laissez tomber accidentellement le GFCI, testez le avant l'utilisation suivante pour vous assurer qu'il est en état de marche. (suivez les instructions du GFCI pour les procédures de test)</p> <p>Assurez-vous que l'appareil reçoit toujours le voltage approprié. Avant de brancher l'appareil à une source d'énergie compatible, assurez-vous que le commutateur est en position "off". Débranchez entre chaque utilisation.</p> <p>Ne modifiez en aucun cas la prise fournie avec le produit. Si celle ci n'entre pas dans la prise femelle, faites en installer une par un électricien qualifié. Ne pas utiliser d'adaptateur.</p> <p>Vérifiez que le cordon d'alimentation n'a pas d'écrasement, de coupures ou de dommages résultant de la chaleur. Si une prise ou un cordon d'alimentation a besoin d'être changé, remplacez le avec un produit identique.</p> <p>N'utilisez pas de rallonge électrique avec ce produit.</p> <p>Maintenez toutes les connections au sec et pas sur le sol. Ne pas laisser de fil électrique tremper dans l'eau ou dans une position telle que le contact avec l'eau serait possible. Ne pas toucher la prise avec les mains mouillées</p> <p>Ne pas tirer sur le fil électrique pour le débrancher de la prise.</p>

## INSTRUCTIONS IMPORTANTES DE SÉCURITÉ


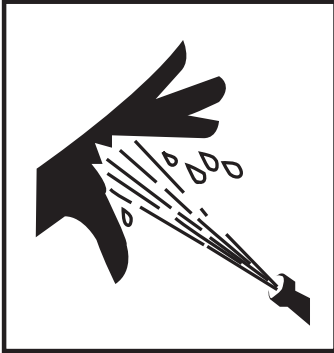
**AVERTISSEMENT:** Lors de l'utilisation de ce produit, des précautions de base doivent toujours être observées, incluant les suivantes:

LIRE TOUTES LES INSTRUCTIONS AVANT UTILISATION DU NETTOYEUR A PRESSION

RISQUE	CONSÉQUENCE POTENTIELLE	PRÉVENTION
<p><b>RISQUE DE DÉCHARGE ÉLECTRIQUE OU D'ÉLECTROCUTION</b></p> 	<p>Un choc électrique peut se produire si le nettoyeur haute pression n'est pas utilisé correctement.</p> <p>Des risques de mort ou de blessures graves peuvent survenir si des réparations électriques sont effectuées par des personnes incompetentes.</p>	<p>Ne dirigez pas le jet sur ou dans des installations électriques d'aucune sorte ! Ceci inclut les prises électriques, les ampoules, les boîtes à fusibles, les transformateurs électriques, l'appareil lui-même.</p> <p>Ne pas laisser de composant métallique de la machine entrer en contact avec des composants électriques sous tension.</p> <p>Ne jamais mettre en marche le nettoyeur haute pression avec les protections/carters démontés ou endommagés.</p> <p>Toute réparation ou câblage électrique effectué sur le nettoyeur doit être réalisé par le Personnel de Service Autorisé et selon les dispositions électriques en vigueur.</p> <p>Avant d'ouvrir n'importe quel boîtier électrique, coupez toujours le nettoyeur haute pression, relâchez la pression et débranchez la machine de la source d'énergie. Laissez le nettoyeur haute pression refroidir. Ne partez pas du principe qu'il est sans risque d'effectuer un travail sur le nettoyeur haute pression juste parce qu'il n'est pas en route. Il pourrait se remettre en marche à tout moment! Tout travail doit s'effectuer dans un endroit propre, sec, et plat.</p>






**INSTRUCTIONS IMPORTANTES DE SÉCURITÉ**  
LIRE TOUTES LES INSTRUCTIONS DE SÉCURITÉ AVANT UTILISATION

RISQUE	CONSÉQUENCE POTENTIELLE	PRÉVENTION
<p><b>RISQUE D'ASPHYXIE</b></p> 	<p>La mort ou de graves blessures pourraient survenir si vous inhalez des gaz dangereux rejetés par l'échappement du brûleur</p>	<p>N'utilisez jamais cet nettoyeur haute pression dans un lieu clos. Assurez-vous toujours que la ventilation est propice (air frais à l'extérieur) à la respiration et la combustion. Ceci empêchera la formation de gaz dangereux d'oxyde de carbone. Méfiez vous des secteurs mal aérés, ou des secteurs où les ventilateurs ne peuvent assurer qu'un faible renouvellement d'air.</p> <p>Suivez toutes les instructions de sécurité fournies avec les matériaux que vous pulvérisiez. L'utilisation d'un respirateur peut être exigée en travaillant avec certains matériaux. N'utilisez pas ce nettoyeur haute pression pour vaporiser des détergents dangereux.</p>
<p><b>RISQUE DE PIQÛRE OU DE COUPURES GRAVES</b></p> 	<p>La mort ou de graves blessures peuvent résulter de la pénétration du jet d'eau à haute pression dans la peau.</p>	<p>Restez à l'écart de la buse et du jet! Ne mettez jamais vos mains, doigts ou corps directement en face de la buse pulvérisatrice.</p> <p>L'utilisateur ne doit pas orienter le jet vers d'autres individus ou lui-même</p> <p>Ce produit doit être employé exclusivement par les utilisateurs qualifiés.</p> <p>Maintenez votre zone de travail à l'écart d'autrui.</p> <p>Une surveillance étroite est nécessaire quand l'appareil est utilisé près d'enfants. Ne permettez pas aux enfants de se servir de l'appareil!</p> <p><b>DEMANDER UN SECOURS MEDICAL SI LE JET SEMBLE AVOIR PENETRE LA PEAU! NE TRAITER PAS CELA COMME UNE SIMPLE COUPURE!!</b></p> <p>Les tuyaux à haute pression et les lignes d'alimentation en combustible doivent être inspectés quotidiennement pour surveiller l'état d'usure de l'appareil. Si des signes d'usure sont apparents, remplacez promptement tous les tuyaux et lignes d'alimentation en combustible suspects pour empêcher d'éventuels dommages du jet à haute pression. Si un tuyau ou un réglage de précision fuit, <b>NE METTEZ JAMAIS VOTRE MAIN DIRECTEMENT SUR LA FUITE.</b></p> <p>N'actionnez jamais le pistolet avec la gâchette bloquée en position ouverte. Pour empêcher le débit accidentel, la sécurité du pistolet de déclenchement doit être mise quand celui-ci ne sert pas.</p> <p>Avant d'enlever la buse de pulvérisation ou d'entretenir l'appareil, coupez <b>TOUJOURS</b> l'appareil, puis déclenchez le pistolet pour relâcher la pression. (même après l'arrêt de l'appareil, il y a encore de l'eau à haute pression dans la pompe, le tuyau et le pistolet jusqu'à ce que vous la relâchiez en pressant sur la gâchette du pistolet.)</p>

## INSTRUCTIONS IMPORTANTES DE SÉCURITÉ

LISEZ TOUTES LES INSTRUCTIONS DE SÉCURITÉ AVANT UTILISATION


RISQUE	CONSÉQUENCE POTENTIELLE	PRÉVENTION
<p style="text-align: center;"><b>RISQUE DE BRÛLURE</b></p> 	<p>Ne pas toucher l'échangeur de chaleur sous peine de graves blessures. Ce secteur peut rester chaud pendant un certain temps après l'arrêt du nettoyeur haute pression.</p>	<p>Ne jamais laisser aucune partie de votre corps rentrer en contact avec l'échangeur de chaleur.</p> <p>Ne laissez pas l'appareil sans surveillance après l'arrêt et ce jusqu'à ce qu'il soit complètement refroidi comme stipulé dans les procédures d'"ARRÊT" énumérées à la page 20 de ce manuel.</p>
<p style="text-align: center;"><b>RISQUE D'ÉCLATEMENT</b></p> 	<p>De graves blessures peuvent résulter d'une dysfonction de la machine ou d'éléments explosifs si les composants ou les accessoires de la machine sont inadéquats.</p> <p>Un danger de blessure sérieuse ou de mort existe si l'on essaye de démarrer le nettoyeur quand le système de pompage est gelé.</p>	<p>Ne faites jamais faire de modifications aux pressions pré-réglées d'usine</p> <p>N'excédez jamais l'estimation maximale de pression du fabricant des accessoires.</p> <p>Ne pas laissez de tuyau entrer en contact avec l'échangeur de chaleur afin d'éviter l'éclatement. Évitez de traîner les tuyaux sur des surfaces abrasives telles que le ciment.</p> <p>Pour la réparation, utiliser seulement les pièces recommandées par le fabricant pour votre nettoyeur haute pression.</p> <p>Par des températures en-dessous de zéro, l'appareil doit toujours être assez chaud pour empêcher la formation de glace dans la pompe. S'il a été transporté dans un véhicule ouvert ou mal chauffé, ne pas démarrer le nettoyeur avant d'avoir attendu le dégel de la pompe.</p>
<p style="text-align: center;"><b>RISQUE PROVENANT DES PIÈCES MOBILES</b></p> 	<p>Les pièces mobiles peuvent provoquées de graves blessures.</p>	<p>Ne jamais faire de réglages de l'appareil quand celui-ci est connecté au secteur.</p> <p>Ne pas mettre l'appareil en route sans tous ses caches de protections.</p> <p>Suivez les instructions d'entretien indiquées dans le manuel.</p>





## INSTRUCTIONS IMPORTANTES DE SÉCURITÉ

LISEZ TOUTES LES INSTRUCTIONS DE SÉCURITÉ AVANT UTILISATION

RISQUE	CONSÉQUENCE POTENTIELLE	PRÉVENTION
<p><b>RISQUE DE BLESSURES CORPORELLES</b></p> 	<p>L'utilisateur pourrait se blesser s'il perd l'équilibre à cause de la poussée d'eau à haute pression dans la buse pulvérisatrice.</p> <p>Le nettoyeur haute pression peut blesser.</p>	<p>Restez alerte, observez bien ce que vous faites. N'utilisez pas l'appareil sous l'effet de la fatigue, de l'alcool ou de la drogue.</p> <p>Ne JAMAIS actionner la gâchette du pistolet sauf si la sécurité est enclenchée.</p> <p>Ne PAS tendre le bras trop loin ni se tenir sur un appui instable. Maintenez une bonne assise et un bon équilibre</p> <p>Les surfaces humides peuvent être glissantes, portez une protection pour les pieds, gardez une bonne assise et un bon équilibre en permanence.</p> <p>Ne jamais déclencher le pistolet lorsque vous être sur une échelle ou un toit.</p> <p>Tenez TOUJOURS fermement le pistolet et la lance au démarrage et en utilisant l'appareil. Faute de quoi, la lance peut tomber et fouetter dangereusement .</p> <p>Sachez stopper le nettoyeur haute pression et purger la pression rapidement. Soyez complètement au courant des contrôles.</p> <p>Ne laissez pas l'appareil pressurisé sans surveillance. Coupez le nettoyeur haute pression relâchez la pression avant de partir.</p> <p>Ne démarrez pas l'appareil si vous voyez toute fuite de carburant, de pétrole ou d'eau de la machine. Après coup, ne redémarrer l'appareil qu'après inspection et réparation de la machine par un personnel qualifié.</p> <p>Mettez l'appareil dans un endroit propre, sec, et plat pour l'entretien. Avant d'entretenir l'appareil: arrêtez l'appareil, relâcher la pression de l'eau du pistolet de déclenchement, et laisser l'appareil se refroidir. Entretenez la machine dans un endroit propre, sec, et plat. Si possible, bloquez les roues pour éviter que l'appareil ne se déplace.</p> <p>Ne déplacez pas l'appareil en tirant sur le tuyau.</p>

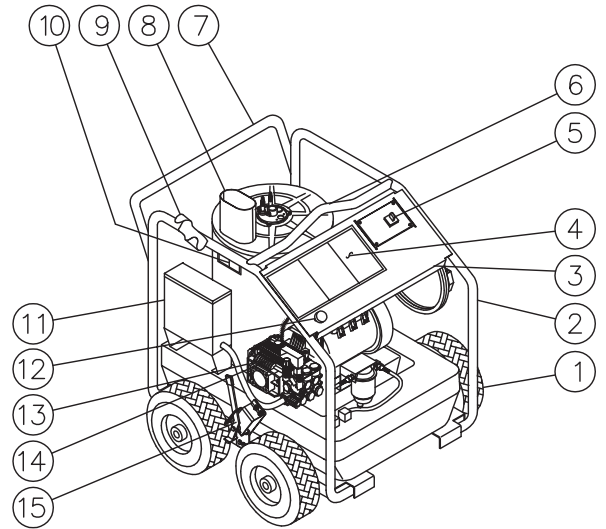
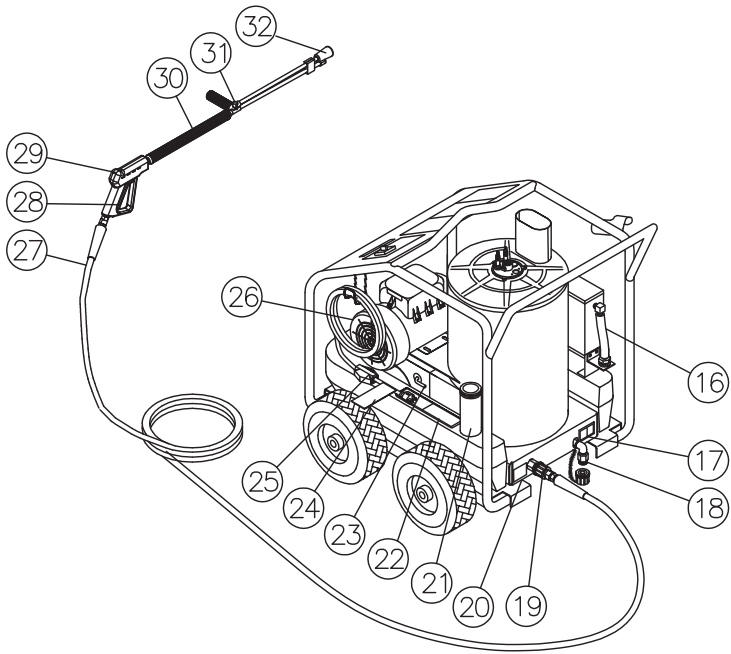
**!GARDEZ CES INSTRUCTIONS!**

---

**NOTE**

---

## CARACTERISTIQUES DU AC-1500EH & AC-2000EH



OMHSE105-040705-RZ

## ENUMERATION DES FONCTIONS

1. Roues pneumatiques
2. Carénage de protection
3. Tableau de commande
4. Décalque d'avertissement Prudence/Opérationnel
5. Interrupteur d'extinction /pompe/brûleur
6. Crochet de levage d'équilibre central
7. Poignée pratique de Pousser/Tirer
8. Echappement d'échangeur de chaleur
9. Support de lance
10. Décalque d'avertissement: chaud
11. Réservoir d'eau
12. Clapet de régulation des détergents
13. Pompe à haute pression avec/Déchargeur
14. Interrupteur à pression
15. Frein
16. Admission d'eau
17. Décalque d'avertissement: Risque d'explosion
18. Vidange d'enroulement
19. Sortie à haute pression
20. Décalque: plaque de données
21. Réservoir de carburant
22. Décalque de mise en garde: risque d'incendie
23. Réglage d'air du brûleur
24. Décalque étiquette d'accrochage
25. Fil électrique de 35FT (10m)
26. Moteur de pompe TEFC
27. Tuyau à haute pression
28. Sécurité de déclenchement
29. Pistolet de déclenchement
30. Lance isolée
31. Lance double à pression réglable
32. Buse

## CARACTERISTIQUES DE L'APPAREIL

**CARÉNAGE/ARMATURE:** Une seule pièce, construction soudée, structure complète de roulement avec les axes en acier pleins, crochet de levage et poignée (en tandem) pratique.

**PORTABILITÉ:** Quatre roues pneumatiques pour une mobilité aisée:

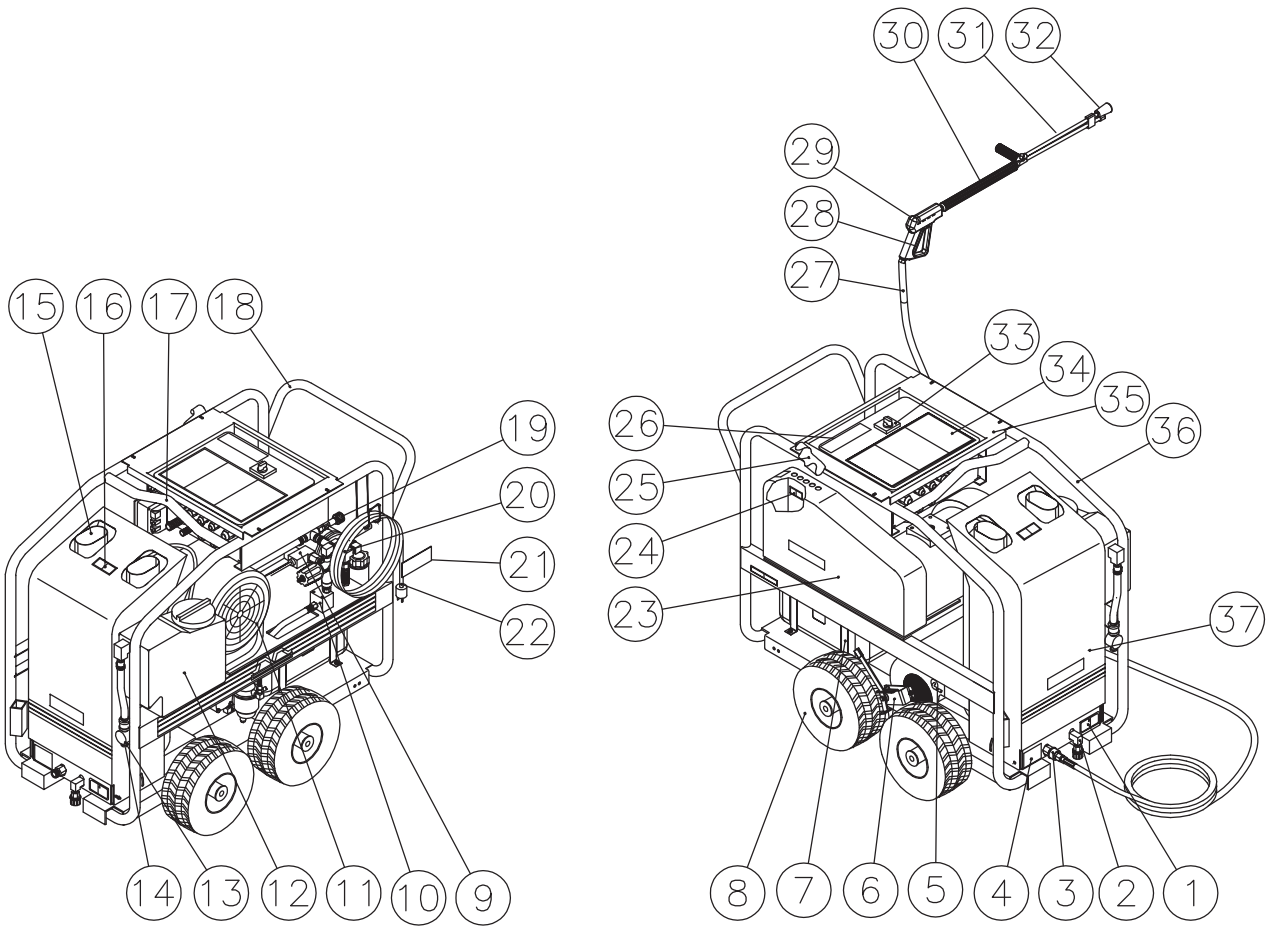
**FINITION:** Poudre enduite.

**TUYAU A HAUTE PRESSION:** 3/8" x 50'(10mm x15m)

**ASSEMBLAGE DU PISTOLET DE DÉCLENCHEMENT:** Déclenchement contrôlé, sécurité, lance isolée.

**LANCE DOUBLE:** Isolée , avec la pression réglable.

# CARACTERISTIQUES DU AC-3000EH & AC-3000EH-3



## ENUMERATION DES FONCTIONS

1. Décalque: risque d'explosion
2. Vidange d'enroulement
3. Sortie à haute pression
4. Plaque de données
5. Réglage d'air du brûleur
6. Frein
7. Réservoir de carburant
8. Roues pneumatiques
9. Interrupteur à pression
10. Tuyau à haute pression
11. Moteur de pompe TEFC
12. Réservoir d'eau
13. Coupelle de la crépine
14. Admission d'eau
15. Echappement d'échangeur de chaleur
16. Décalque d'avertissement: chaud
17. Crochet de levage d'équilibre central
18. Poignée de Poussez/Tirez
19. Clapet de régulation des détergents
20. Décalque de mise en garde: Risque d'incendie
21. Décalque: étiquette d'accrochage
22. Fil électrique
23. Courroie de sécurité
24. Décalque d'avertissement attention/électrique
25. Tuyau à haute pression
26. Décalque d'avertissement: électrique
27. Tuyau à haute pression
28. Sécurité de déclenchement
29. Pistolet de déclenchement
30. Lance isolée
31. Lance double à pression réglable
32. Buse
33. Interrupteur (Arrêt/Marche/Brûleur)
34. Décalque d'avertissement/Attention/Opérationnel
35. Tableau de commande
36. Carénage de protection
37. Caches de protection

## CARACTERISTIQUES DE L'APPAREIL

**CARÉNAGE/ARMATURE:** Une seule pièce, construction soudée, structure complète de roulement avec les axes en acier pleins, crochet de levage et poignée (en tandem) pratique.

**PORTABILITÉ:** Quatre roues pneumatiques pour une mobilité aisée

**FINITION:** Poudre enduite

**TUYAU A HAUTE PRESSION:** 3/8" x 50'(10mm x15m)

**ASSEMBLAGE DU PISTOLET DE DÉCLENCHEMENT:** Déclenchement contrôlé, sécurité, lance isolé.

**LANCE DOUBLE:** Isolée , avec la pression réglable.



## INSTRUCTIONS D'INSTALLATION ET DE PRÉPARATION VÊTEMENT:

Le vêtement approprié est essentiel pour votre sécurité. Il est conseillé d'employer tous les moyens nécessaires pour protéger les yeux, les oreilles, et la peau. Un élément vestimentaire additionnel de sécurité (tel que le masque respiratoire) peut être exigé lors de l'utilisation d'agents nettoyants avec cette machine.


	<b>DANGER</b>
<b>RISQUE D'EXPLOSION OU D'INCENDIE</b>	
NE PAS PLACER L'APPAREIL DANS UN ENDROIT OU DES VAPEURS INFLAMMABLES PEUVENT ÊTRE PRÉSENTES. UNE ÉTINCELLE POURRAIT LE FAIRE EXPLOSER	
<b>RISQUE D'ÉCLATEMENT DE L'APPAREIL!</b>	
NE PAS RANGER/UTILISER L'APPAREIL À DES TEMPÉRATURES GLACIALES	
	<b>AVERTISSEMENT</b>
<b>RISQUE D'ASPHYXIE!</b>	
N'UTILISER CE PRODUIT QUE DANS DES ZONES BIEN AÉRÉES	
NE TRAVAILLEZ PAS DANS UN LIEU CLOS. L'ÉCHAPPEMENT CONTIENT DE L'OXYDE DE CARBONE, UN GAZ TOXIQUE, INODORE ET INVISIBLE. INHALER CE GAZ PEUT PROVOQUER DE SÉRIEUX DOMMAGES OU LA MORT.	

### INSTALLATION:

1. Cet appareil doit toujours être placé sur une surface plane afin d'assurer une lubrification appropriée de la pompe à eau pendant le fonctionnement. Ne JAMAIS pulvériser d'eau directement sur l'appareil.
2. N'employez pas l'appareil dans un endroit:
  - a. où la ventilation est insuffisante.
  - b. où il y a des traces de pétrole ou de carburant.
  - c. où des vapeurs de gaz inflammable peuvent être présentes.
3. Engagez le frein pour empêcher l'appareil de se déplacer tout en fonctionnant.
4. Ne laissez pas l'appareil exposé à la pluie, à la neige ou à des températures glaciales. Si une partie de l'appareil venait à geler, une pression excessive pourrait s'accumuler dans l'appareil, ce qui pourrait le faire éclater ayant pour résultat des dommages sérieux pour l'utilisateur ou pour des tiers.
5. Le niveau d'huile de pompe doit être vérifié avant chaque utilisation. Assurez-vous que l'huile est au point «Full» sur le jaugeur ou au centre de l'orifice de vérification d'huile. Si le niveau semble être bas, faites le plein avec de l'huile de pompe SAE20 ou 30.

### RACCORDEMENT DU CORDON DE SECTEUR:

1. Assurez-vous que le commutateur du moteur est en position «off».
2. Assurez-vous que l'alimentation électrique est conforme aux caractéristiques stipulées de la plaque de données de la machine.
3. INSTRUCTIONS pour la MISE A LA TERRE: Ce produit doit être raccordé à la terre. Si une dysfonction ou une panne devait survenir, la masse fournit un circuit de résistance moindre pour le courant électrique afin de réduire le risque de décharge. Ce produit est équipé d'un fil électrique ayant un conducteur pour la terre et une prise de masse. La fiche doit être branchée à une sortie appropriée correctement installée et reliée à la terre selon tous les codes et dispositions en vigueur locaux.
4. DANGER: Un mauvais raccordement du conducteur de masse peut avoir comme conséquence un risque d'électrocution. Vérifiez avec un électricien ou un personnel de service qualifié si vous avez un doute quant au raccordement de la masse. Ne modifiez pas la prise fournie avec le produit – si elle ne rentre pas dans la prise de courant, faites installer une prise appropriée par un électricien qualifié. N'employez aucun type d'adaptateur avec ce produit.

	<b>DANGER</b>
<b>RISQUE D'ELECTROCUTION!</b>	
CET APPAREIL DOIT ÊTRE CONNECTÉ À UNE PRISE MISE A LA TERRE. N'UTILISEZ PAS D'ADAPTATEUR ET NE RETIRER PAS LE CONNECTEUR DE TERRE	

A SUIVRE...




## INSTRUCTION D'INSTALLATION ET DE PRÉPARATION

### RACCORDEMENT DU CORDON DE SECTEUR (suite):

5. GFCI (DISJONCTEUR DIFFÉRENTIEL à FAUTE de TERRE)
  - a. **MONOPHASÉ:** Si cette machine est fournie avec le GFCI (Ground Fault Circuit Interrupter : Disjoncteur différentiel) dans la prise ou le cordon d'alimentation, examinez le GFCI chaque fois qu'il est branché à une sortie selon les instructions du GFCI. N'utilisez pas la machine si l'essai échoue! Le GFCI assure une protection supplémentaire en cas de risque de décharge électrique. Si le remplacement de la prise ou du cordon devient nécessaire, employez seulement des pièces de rechange identiques qui incluent la protection GFCI.
  - b. **MONOPHASÉ:** Si cet appareil n'est pas fourni avec un GFCI, il doit en revanche être exclusivement relié à un réceptacle protégé par un GFCI afin de se conformer au code électrique national (NFPA 70) et fournir une protection supplémentaire contre le risque de décharge électrique.
  - c. **TRIPHASÉ:** Ces appareils ne sont pas équipés de protection de GFCI.
6. **RALLONGES ÉLECTRIQUES:** Le fabricant **NE RECOMMANDE PAS L'UTILISATION DE RALLONGES ÉLECTRIQUES!** Si l'utilisation d'une rallonge électrique est inévitable, elle doit être branchée à un GFCI se trouvant dans des boîtiers de circuit ou des réceptacles protégés. Lors de l'utilisation d'une rallonge électrique, consultez un électricien qualifié pour déterminer la mesure appropriée de fil électrique requise pour la longueur de la rallonge électrique.

**MONOPHASÉ:** Utiliser exclusivement des rallonges électriques à trois fils qui ont des prises à trois connecteurs ainsi qu'une prise femelle à trois connecteurs acceptant la prise du produit.

**TRIPHASÉ:** Utiliser exclusivement des rallonges électriques à quatre fils qui ont une prise de terre et trois connecteurs ainsi qu'une prise femelle à quatre connecteurs acceptant la prise du produit. Utiliser exclusivement des rallonges qui sont prévues pour l'usage extérieur. Ces rallonges sont identifiées par une inscription « approprié pour fonctionner avec des appareils extérieurs; ranger en intérieur entre chaque utilisation. » Utilisez seulement les rallonges ayant une intensité électrique au moins égale à l'intensité électrique du produit. N'employez pas de rallonges électriques abîmées. Examinez la rallonge avant chaque utilisation et remplacez-la si elle est endommagée. Ne malmenez pas la rallonge et ne tirez sur aucun fil pour le débrancher. Tenez le fil électrique à l'écart de la chaleur et des bords coupants. Branchez et débranchez toujours la rallonge électrique du réceptacle avant de brancher ou débrancher celle-ci de l'appareil.
7. Assurez-vous que l'endroit se trouvant entre le fil de la machine et la prise est au sec
8. Insérez la fiche mâle dans une prise de courant alternatif mise à la terre. N'utilisez pas un adaptateur OU ne retirez pas la prise de terre!!



**AVERTISSEMENT**  
**RISQUE D'ELECTROCUTION!**

**POUR REDUIRE LE RISQUE D' ELECTROCUTION, GARDER LES CONNECTIONS SECHES ET AU DESSUS DU SOL. NE PAS TOUCHER LA PRISE LES MAINS MOUILLEES.**




**DANGER**  
**RISQUE D'INCENDIE!**

**-NE PAS FUMER EN REMPLISSANT LE RESERVOIR D'ESSENCE**  
**-NE PAS REMPLIR LE RESERVOIR QUAND L'APPAREIL EST CHAUD OU EN MARCHE. LAISSEZ L'APPAREIL REFROIDIR 2 MINS AVANT L'APPROVISIONNEMENT**  
**-NE PAS TROP REMPLIR LE RESERVOIR LAISSEZ**

### RÉSERVOIR DE CARBURANT:

1. Lire avec attention " Risque d'explosion ou d'incendie " p.29, avant remplissage.
2. Localisez les décalques de sécurité sur votre appareil et observez leurs avertissements.
3. Remplissez le réservoir de carburant avec du carburant propre de bonne qualité, fuel oil n° 1 ou n°2/ diesel ou kérosène. N'utilisez pas d'essence!



**AVERTISSEMENT**  
**RISQUE D'EXPLOSION OU D'INCENDIE!**

**RANGER LE CARBURANT LOIN DE L'APPAREIL LORSQUE CE DERNIER EST CHAUD OU EN MARCHE.**

## INSTALLATION & PRÉPARATION

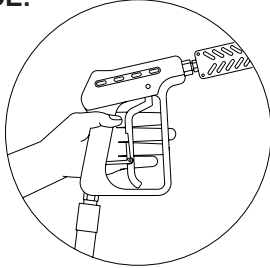


### AVERTISSEMENT

#### **RISQUE D'INJECTION CAUSANT DES BLESSURES GRAVES!**

**-LA SECURITE DU PISTOLET DOIT ETRE ENCLENCHEE ENTRE CHAQUE UTILISATION**

**-NE JAMAIS REGARDER DIRECTEMENT DANS LA BUSE SAUF SI CELLE CI EST DECONNECTEE DE LA DOUBLE LANCE.**

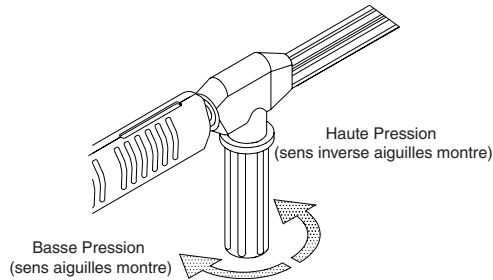


### LANCE DOUBLE A PRESSION REGLABLE:

Cet appareil comporte une double lance à pression réglable qui permet à l'utilisateur de choisir une pulvérisation à haute ou basse pression.

Tournez simplement la poignée réglable sur la double lance pour choisir la pression désirée.

1. Le choix de la haute pression peut être effectué en tournant la poignée réglable de la double lance dans le sens contraire des aiguilles d'une montre comme représenté sur la figure ci-dessous.
2. Le choix de la basse pression peut être effectué en tournant la poignée réglable sur la double lance dans le sens des aiguilles d'une montre comme représenté sur la figure ci-dessous.



### RACCORDEMENT DE LA DOUBLE LANCE:

1. Assurez-vous que le pistolet de déclenchement est bloqué en position "OFF".
2. Reliez la double lance au pistolet de déclenchement (si approprié). Assurez-vous que le raccordement est solidement serré.

### APPROVISIONNEMENT EN EAU:

1. Choisissez un tuyau d'approvisionnement en eau qui soit un tuyau de jardin de qualité mesurant au moins 3/4 in. (19mm) de diamètre et pas plus de 50 ft (15m).
2. Si votre appareil est équipé d'une crépine, assurez-vous qu'elle est propre et non obstruée. Le nettoyage périodique de la crépine aidera à empêcher des problèmes de pompe. Lorsqu'une crépine s'obstrue, elle limite l'écoulement d'eau à la pompe. Ceci peut avoir comme conséquence la cavitation qui causera la défaillance prématurée des joints de pompe.
  - a. Dévissez la coupelle de la crépine de l'appareil.
  - b. Enlevez le filtre de la crépine et nettoyez ou remplacez.
3. Reliez une extrémité du tuyau d'approvisionnement en eau à l'admission d'eau de l'appareil. Reliez l'autre extrémité à votre approvisionnement en eau pressurisé.

**NOTE:** *S'il y a une teneur en minéraux élevée dans votre eau, on recommande l'emploi d'un adoucissant afin d'empêcher la possibilité d'un dépôt excessif de calcaire à l'intérieur de l'enroulement d'échangeur de chaleur.*

4. Suivez les exigences pour l'eau entrante énumérées ci-dessous:
  - a. La pression de l'eau doit être entre un minimum de 20 PSI (1.4 kg/cm<sup>2</sup>) et un maximum de 125 PSI (8.8kg/ cm<sup>2</sup>)
  - b. Le débit à l'entrée doit être approximativement un gallon (3.8l) de plus que le débit à la sortie, lequel est indiqué sur la plaque signalétique de la machine. (vous pouvez vérifier le débit en chronométrant en combien de temps il remplit un récipient de 5 gallons (19l)).
  - c. La température de l'eau à l'entrée ne doit pas excéder 125°F (52°C). La pompe peut subir des dommages si la température excède ce niveau.

5. Ne laissez jamais l'appareil fonctionner sans le tuyau d'arrivée d'eau raccordé et l'approvisionnement en eau complètement ouvert.

John Deere le manuel de l'utilisateur



## INSTALLATION & PRÉPARATION

### DECHARGEUR:

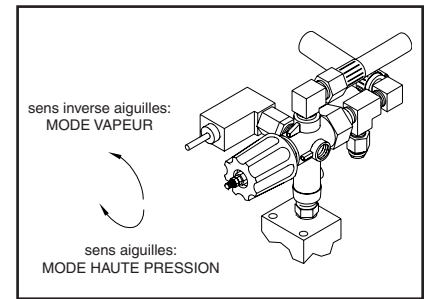
Modèles standard:

Le déchargeur a été préréglé à l'usine.

Modèles avec option de vapeur:

Le déchargeur a un bouton de réglage qui a un minimum/maximum. Tourner le déchargeur dans le sens des aiguilles d'une montre au maximum pour le fonctionnement eau froide/eau chaude. Tourner dans le sens contraire des aiguilles d'une montre au réglage minimum pour le fonctionnement en mode vapeur.

### VALVE DU DECHARGEUR



### SOUPEPE DE DECHARGE DE LA CHALEUR:

S'assurer que la température de l'eau n'excède pas la limite de tolérance, ne jamais laisser la machine fonctionner en mode de déviation (l'appareil en marche et le déclenchement fermé) pendant plus de trois minutes.

Une clapet de décharge de la chaleur a été ajouté à cet appareil pour protéger la pompe. Cet clapet ouvrira et relâchera l'eau si la température de l'eau dans la pompe a excédé 140° F (60°C). Ceci permettra à de l'eau fraîche d'entrer dans le système, empêchant par là même la défaillance prématurée des joints de pompe.

### PROCÉDURES D'INSPECTION DE PRÉDÉMARRAGE:

Avant de démarrer l'appareil, exécutez les procédures suivantes:

1. Inspectez les cordons électriques pour s'assurer qu'il n'ont pas de coupure. Si une coupure est trouvée, **NETOUCHEZ PAS UN UTILISER PAS LE CORDON!** Remplacez le cordon avant de démarrer l'appareil.
2. Vérifiez le niveau d'huile dans la pompe.
3. Inspectez la crépine d'admission de l'eau. Nettoyez ou remplacez au besoin. Voir "approvisionnement en eau", # 2, page 42.
4. Vérifiez tous les raccords de flexibles pour s'assurer qu'ils sont solidement serrés.
5. Vérifiez qu'il n'y a pas de fuites d'eau du système, de fuites d'huile et de fuites de carburant. Si vous trouvez une fuite de carburant, **NE DEMARREZ PAS L'APPAREIL!** Voir "risque d'explosion ou d'incendie", page 29. Assurez-vous que toutes les pièces endommagées sont remplacées et que les problèmes mécaniques sont corrigés avant utilisation de l'appareil. Si vous avez besoin d'assistance, entrez en contact avec le service clientèle.
6. Inspectez les flexibles à haute pression afin de déceler d'éventuelles compressions, coupures ou fuites. Si vous trouvez une coupure ou une fuite, **N'UTILISEZ PAS LE TUYAU!** Remplacez le avant de démarrer l'appareil. Voir "risque de piqûre ou de coupure grave", page 21. Assurez-vous que toutes les pièces endommagées sont remplacées et que les problèmes mécaniques sont corrigés avant l'utilisation de l'appareil. Si vous avez besoin d'assistance, prenez contact avec le service clientèle.



**FIN DES CONSIGNES DE PRÉPARATION**



# **AVERTISSEMENT**

**LES PAGES SUIVANTES CONTIENNENT LES  
CONSIGNES D'UTILISATION ET D'ENTRETIEN**

**NE TENTEZ PAS DE FAIRE FONCTIONNER  
L'APPAREIL AVANT D'AVOIR LU ET COMPRIS  
TOUTES LES INSTRUCTIONS DE SÉCURITÉ  
CONTENUES DANS CE MANUEL.**

**L'UTILISATION INAPPROPRIÉE DE CET APPAREIL  
PEUT CAUSER DES BLESSURES SÉRIEUSES**

**NE PAS ALTERER OU MODIFIER L'ÉQUIPEMENT EN  
AUCUNE MANIÈRE!**

## CONSIGNES D'UTILISATION:

### VIDANGE DU SYSTEME:

Cet appareil a un enrouleur en acier qui, après réglage, fera en sorte que l'eau restante dans l'enrouleur de la précédente utilisation tourne au brun ou au noir. Cette eau doit être vidangée du système avant le démarrage. Ce procédé doit être exécuté sans le tuyau à haute pression, pistolet et double lance installés.

1. Allumez l'alimentation en eau.
2. Enclenchez le commutateur en position "pompe". L'eau à basse pression commencera à couler de la sortie d'eau. Ceci permet à l'appareil de rincer toutes les particules du système. L'appareil est rincé quand l'eau est claire.
3. Une fois que le système est rincé, enclenchez le commutateur en position "OFF" et reliez le tuyau à haute pression à la sortie d'eau de l'appareil.
4. Raccordez le pistolet de déclenchement et la double lance au tuyau à haute pression.



### **AVERTISSEMENT**

#### **RISQUE DE DOMMAGES POUR L'APPAREIL.**

**ASSUREZ VOUS QUE LE PISTOLET DECLENCHEUR ET LA DOUBLE LANCE NE SONT PAS RACCORDES LORS DE LA VIDANGE DU SYSTEME LA VIDANGE PERMET AU SYSTEME D'EVACUER LES DEPOTS MINERAUX, QUI OBSTRUERAIENT OU ENDOMMAGERAIENT LA BUSE ET LE PISTOLET DECLENCHEUR, PROVOQUANT DES REPARATIONS COUTEUSES.**



### **AVERTISSEMENT**

#### **RISQUE D'INJECTION CAUSANT DES BLESSURES GRAVES!**

**-ELOIGNEZ VOUS DE LA BUSE! NE PAS METTRE LES MAINS OU LES DOIGTS DEVANT LA BUSE!  
-NE PAS DIRIGER LE JET DIRECTEMENT SUR DES PERSONNES OU ANIMAUX DOMESTIQUES!  
-L'OPTION AUTOMATIQUE DEMARCHE/ARRET COUPERA L'APPAREIL JUSQU'AU DECLENCHEMENT DU PISTOLET. AFIN D'EVITER UN ACCIDENT AVEC LE JET A HAUTE PRESSION, NE LAISSEZ PAS L'APPAREIL SEUL LORSQU'IL EST SUR CE MODE.**

### DEMARRAGE/FONCTIONNEMENT A L'EAU FROIDE:

1. Référez-vous aux "mesures de sécurité" pgs. 28-34 avant de démarrer l'appareil.
2. Localisez les décalques de sécurité sur votre appareil et observez leurs avertissements.
3. Assurez-vous que le commutateur est en position "OFF".
4. En dirigeant le pistolet de déclenchement dans une direction sûre, désenclenchez la sécurité du pistolet de déclenchement et pressez la gâchette. Préparez-vous au possible contrecoup du pistolet quand la pompe démarra.
5. Enclenchez le commutateur en position "pompe".
6. Une fois que l'appareil a démarré, exécutez les procédures suivantes avec le pistolet ouvert:
  - a. Déceler les éventuelles fuites d'eau de système, les fuites d'huile et les fuites de carburant. Si une fuite de carburant est trouvée, **ARRÊTEZ L'APPAREIL IMMÉDIATEMENT!** Voir "Risque d'explosion ou d'incendie", page 29. Assurez-vous que toutes les pièces endommagées sont remplacées et que les problèmes mécaniques sont corrigés avant utilisation de l'appareil. Si vous avez besoin d'assistance, entrez en contact avec le service clientèle.
  - b. Inspectez les tuyaux à haute pression afin d'y déceler une éventuelle compression, coupure ou fuite. Si vous trouvez une coupure ou une fuite, **NE TOUCHEZ PAS LE TUYAU QUI FUIT!!! ARRÊTEZ L'APPAREIL IMMÉDIATEMENT!** Remplacez le tuyau avant de démarrer l'appareil. Voir "Risque de piqûre ou de coupure grave" page 30. Assurez-vous que toutes les pièces endommagées sont remplacées et que les problèmes mécaniques sont corrigés avant le fonctionnement de l'appareil. Si vous avez besoin d'assistance, entrez en contact avec le service clientèle.

## CONSIGNES D'UTILISATION:

### DEMARRAGE/FONCTIONNEMENT A L'EAU FROIDE (suite):



#### **ATTENTION**

#### **RISQUE DE DOMMAGES**

**NE PAS DIRIGER LE JET AU MEME ENDROIT PENDANT LONGTEMPS. DES DOMMAGES POSSIBLES POURRAIENT AFFECTER L'ENDROIT**

7. Pour l'instant, l'appareil fonctionne comme nettoyeur haute pression d'eau froide. Déclenchez le pistolet plusieurs fois et essayez d'ajuster la pression de l'eau en tournant la poignée de la double lance. Ne mettez jamais la main ou les doigts devant la buse et ne regardez jamais directement dans la buse! L'eau à haute pression provoque un risque de blessure grave!
8. Ne jamais laisser l'appareil fonctionner en mode de déviation (avec le déclenchement fermé) pendant plus de trois minutes. Le non-respect de cette règle simple peut causer la défaillance prématurée des joints de pompe, il en résulterait une réparation coûteuse de la pompe.

*NOTE: Si cet appareil est équipé du dispositif de Marche/Arrêt automatique, il s'arrêtera de lui-même si le pistolet n'est pas déclenché après un temps prédéfini. L'appareil redémarrera quand le pistolet sera actionné. Le dispositif automatique Marche/Arrêt est préréglé à l'usine pour s'arrêter à 90 secondes. Il peut être réglé par un technicien de service autorisé pour s'arrêter après une non-utilisation d'un minimum de 3 secondes à un maximum de 5 minutes.*

9. Votre appareil peut délivrer un jet à haute pression et des types variés de jet en utilisant l'eau froide. Si vous souhaitez utiliser l'eau chaude, la vapeur ou le nettoyage avec des détergents, voir la page 43 pour les procédures correctes.



#### **AVERTISSEMENT**

#### **RISQUE DE BRÛLURE!**

**LA TEMPERATURE DE L'EAU PEUT DEVENIR TRÈS ÉLEVÉE PENDANT LE FONCTIONNEMENT ALA VAPEUR. SOYEZ PRUDENT EN REGLANT LA PRESSION ET EN MANIPULANT LA DOUBLE LANCE ET LE PISTOLET DE DÉCLENCHEMENT!**

### FONCTIONNEMENT À L'EAU CHAUDE:

1. Suivez les étapes 1-8 données pour " DEMARRAGE/FONCTIONNEMENT A L'EAU FROIDE ".
2. Enclenchez le commutateur en position "brûleur". Au démarrage, l'eau commencera à chauffer en approximativement 20 secondes et atteindra la température maximale en approximativement 2-1/2 minutes, si la gâchette reste pressée. Le brûleur cesse de chauffer quand la gâchette est relâchée.

*NOTE: Pendant la pulvérisation, il est normal que le brûleur chauffe par intermittence. Le commutateur thermique fera cesser la combustion quand la température de l'eau déchargée excédera la température réglée sur le commutateur. La combustion recommencera quand la température de l'eau chutera au dessous du réglage minimum.*

**Après cela, l'appareil fonctionne comme nettoyeur haute pression d'eau chaude. Soyez extrêmement prudent en réglant la pression et en inspectant le pistolet de déclenchement / double lance afin d'éviter la possibilité de brûlures.**

## CONSIGNES D'UTILISATION:

### FONCTIONNEMENT A LA VAPEUR:

1. Suivez les étapes 1-8 données pour " DEMARRAGE/ FONCTIONNEMENT A L'EAU FROIDE ".
2. Assurez-vous que le clip à l'extrémité de la double lance est assez froid pour pouvoir le toucher, puis retirez la buse à haute pression pour le remplacer par la buse de vapeur. Retirez la tuyau à haute pression pour le remplacer par la tuyau de vapeur.
3. Tournez le bouton du déchargeur complètement dans le sens contraire des aiguilles d'une montre au réglage minimum.
4. Tournez le commutateur sur "vapeur".

**NOTE:** *Le brûleur s'arrêtera si le commutateur est tourné sur "vapeur" sans réglage préalable du déchargeur au minimum ou en marche en mode haute pression.)*

**Après cela, l'appareil fonctionne comme nettoyeur haute pression de vapeur. Soyez extrêmement prudent en réglant la pression et en inspectant le pistolet de déclenchement /double lance pour éviter la possibilité de brûlures.**

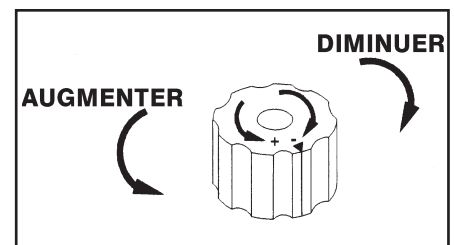
---

### NETTOYAGE AVEC DES DETERGENTS:

**NOTE:** *Ce dispositif est conçu pour être utilisé avec les détergents doux uniquement. Parce que la solution de nettoyage circule par de diverses parties de la machine, n'employez pas de corrosifs car ils causeront des dommages conséquents et présenteront un risque considérable en matière de sécurité.*

1. Référez-vous à "risques de blessures physiques/ détergents" page 33-34. Assurez-vous de porter un vêtement de sécurité comme indiqué à la page 40.
2. Préparez la solution détersive selon les directives de l'étiquette. (jamais d'acides de pompe, alcalines, fluides abrasifs ou de dissolvants dans l'appareil. En raison des produits inconnus souvent corrosifs de beaucoup de détergents généralement utilisés dans l'industrie de nettoyage, il est recommandé d'employer uniquement des détergents doux avec cet appareil.)
3. Immergez entièrement l'extrémité de la crépine du tuyau de détergent vinylique clair dans la solution détersive.
4. Versez la quantité de détergent désirée. Tournez la valve de régulation complètement dans le sens contraire des aiguilles d'une montre pour le régler au taux maximum de siphon.
5. Pour appliquer la solution; ouvrez le pistolet de déclenchement et presser la gâchette. En quelques instants un mélange de détergent/eau sortira de la buse. Commencez à pulvériser la partie inférieure de la surface à nettoyer et relevez-vous, tout en décrivant de longues courbes. L'application du produit du bas vers le haut aide à éviter les stries. Laissez brièvement imbiber. Évitez de travailler sur les surfaces chaudes ou au soleil pour réduire au minimum les chances du séchage de détergent, qui peut avoir comme conséquence d'abîmer ces surfaces. Appliquez la solution de nettoyage petite section par petite section.
6. Pour rincer; bloquez le pistolet de déclenchement en position "OFF", tournez la valve de régulation des détergents dans la position "OFF". Pressez la gâchette du pistolet de déclenchement. Cela prendra environ 30 secondes pour purger tout le détersif. Pour de meilleurs résultats au rinçage, commencez par le haut et finissez pas le bas.
7. Siphonnez un gallon d'eau par le système d'injection du détergent après chaque utilisation. Cela empêche la corrosion ou le résidu détersif qui pourraient poser des problèmes mécaniques à la prochaine utilisation

#### VALVE DE RÉGULATION DES DETERGENTS





## **DANGER**

### **RISQUE D'INJECTION CAUSANT DE GRAVES BLESSURES!**

-L'OTION AUTOMATIQUE DE MARCHE/ARRET COUPERA L'APPAREIL JUSQU'AU DÉCLENCHEMENT DE LA GACHETTE. L'ARRÊT TOTAL EXIGE QUE LE COMMUTATEUR "OFF/PUMP/BURNER/STEAM" SOIT TOURNÉ EN POSITION "OFF".

-AFIN D'EMPECHER DES ACCIDENTS AVEC LE JET À HAUTE PRESSION, NE PAS LAISSER L'APPAREIL SANS SURVEILLANCE SANS QUE L'INTERRUPTEUR SOIT EN POSITION "OFF"

## **CONSIGNES DE FONCTIONNEMENT**

### **ARRÊT:**

1. Enclencher le commutateur en position "pompe".
2. Pressez la gâchette et déchargez l'eau pendant une période de trois minutes pour refroidir l'échangeur de chaleur et le tuyau à haute pression. (Un temps de refroidissement du tuyau à haute pression insuffisant abîmera le tuyau et augmentera les risques de rupture de celui-ci.)
3. Déplacez le commutateur à la position de "OFF". (l'option automatique de Marche/Arrêt stoppera l'appareil, mais l'arrêt de total exige du commutateur d'être déplacé en position "OFF".)
4. Arrêtez l'approvisionnement en eau et actionnez le pistolet momentanément afin de relâcher la pression.
5. Débranchez et vidangez le tuyau à haute pression, le pistolet, et la double lance. Essayez l'appareil et entreposez le dans un environnement où la température est supérieure à 0°C.

---

## **CONSIGNES DE STOCKAGE ET D'ENTRETIEN:**

### **ENTRETIEN SPECIFIQUE:**

**POMPE:** Changez l'huile de pompe après les 50 premières heures d'utilisation. Après quoi, il est recommandé de changer l'huile tous les trois mois ou 250 heures. Si l'huile semble sale ou laiteuse, des changements d'une plus grande fréquence peuvent être exigés. Employez l'huile de pompe SAE20 ou 30 et remplissez seulement au centre de l'orifice de vérification d'huile. Ne remplissez pas au-dessus du niveau.

**COUPLEURS RAPIDES:** Il y a des joints toriques à l'intérieur des coupleurs qui se détérioreront. Pour le remplacement, installez simplement un joint torique de rechange pour stopper la fuite. (des joints toriques supplémentaires peuvent être achetés chez votre revendeur.)

**BUSE:** L'eau à haute pression dans la buse de pulvérisation rongera l'orifice, le rendant plus grand, ayant pour résultat une perte de pression. Les buses doivent être remplacées toutes les fois que la pression baisse au-dessous de 85% du maximum. La fréquence du remplacement dépendra des variables telles que la teneur en minéraux dans l'eau et le nombre d'heures d'utilisation de la buse.

**SÉPARATEUR d'EAU/CARBURANT :** le filtre de carburant est encastré dans l'extracteur d'eau. De temps en temps l'eau doit être vidangée de l'extracteur. Suivez les procédures énumérées ci-dessous:

1. Vérifiez quotidiennement la cuvette de récupération.
2. Assurez-vous que l'appareil est éteint et placez une bassine de récupération d'huile sous la cartouche de combustible
3. Débouchez le bouchon de vidange et laissez couler le carburant et l'eau souillés
4. Resserrez le bouchon de vidange une fois terminé.
5. Débarrassez-vous des eaux usées selon les règlements en vigueur dans votre région.



## CONSIGNES DE STOCKAGE ET D'ENTRETIEN:

### ENTRETIEN SPECIFIQUE (suite):

REGLAGE d'AIR de BRÛLEUR: L'obturateur d'air a été pré réglé en usine pour un fonctionnement approprié entre le niveau de la mer et 2000 pieds (600 m) d'altitude aux conditions standard (des températures d'air et d'eau ambiantes de 60°F (15°C)). Pour assurer une efficacité de combustion maximum à des températures plus froides et des altitudes plus élevées, il conviendra de régler l'alimentation en air sur la chambre de combustion. Il est recommandé d'utiliser un testeur de fumée pour tout réglage de l'obturateur d'air. Ceci aidera à maximiser l'efficacité de brûleur et évitera que le fonctionnement devienne inefficace et que la chambre de combustion ne s'encrasse de manière excessive.

1. La machine et le brûleur doivent être en marche
2. Utilisez un testeur de fumée afin de déterminer le niveau d'air requis pour la combustion appropriée.
  - a. si le résultat est plus grand qu'un smoke #3, tournez le bras de l'obturateur dans le sens contraire des aiguilles d'une montre pour augmenter la circulation d'air dans la chambre de combustion.
  - b. Si le résultat devient jaunâtre, tournez le bras de l'obturateur dans le sens des aiguilles d'une montre pour diminuer la circulation d'air dans la chambre de combustion.
3. Maintenez le levier de réglage de l'obturateur d'air en position et desserrez l'écrou. Déplacez l'obturateur par incréments de 1/8" (3mm) et resserrez l'écrou de blocage après chaque mouvement de 1/8".
4. Pressez plusieurs fois lentement sur la gâchette du pistolet afin de s'assurer qu'il y a allumage correct. Pas de ou un tousotement léger à l'allumage, et un résultat de test de fumée de 0-3 est bon.
5. Répétez les étapes 2 et 3 jusqu'à ce que l'étape 4 soit atteinte.

FUITES: Éliminez rapidement toutes les fuites trouvées dans le système de pompage en retirant les pièces suspectes, et en appliquant du mastic aux filetages avant de les réinstaller.

**NOTE:** *Si vous utilisez du ruban en téflon, assurez-vous qu'aucune partie de la bande adhésive ne se retrouve dans une quelconque tuyauterie afin d'empêcher la possibilité d'un bouchon pour la buse de pulvérisation.*

## CONSIGNES DE STOCKAGE ET D'ENTRETIEN

### PREPARATION POUR L'HIVER:

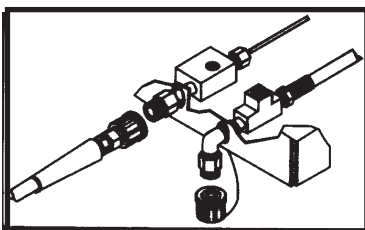


1. Pour le stockage et le transport dans des températures glaciales, il faudra préparer l'appareil pour l'hiver. Cet appareil doit être protégé aux plus basses températures pour les raisons suivantes:
  - a. si n'importe quelle partie du système de pompage venait à geler; un trop-plein de pression pourrait s'accumuler dans l'appareil, ce qui pourrait le faire éclater, il en résulterait des blessures graves pour l'utilisateur ou des tiers.
  - b. le système de pompage de cet appareil peut être endommagé de manière permanente si il gèle. Les DOMMAGES de GEL NE SONT PAS COUVERTS PAR LA GARANTIE. Si vous devez entreposer votre appareil dans un endroit où la température peut tomber en dessous de 32°F (0°C) vous pouvez tout de même protéger votre appareil en utilisant la procédure ci-dessous.
  
1. Rassemblez les éléments suivants:
  - a. deux récipients de 5 gallons (19l).
  - b. un gallon d'antigel. (employez un antigel qui protège l'environnement.)
  - c. un approvisionnement d'eau.
  - d. un tuyau de trois pieds (0.9 m), 1/2-3/4 ID avec un adaptateur male de 3/4 inch (19mm) pour tuyau de jardin .
  
2. Procédure:
  - a. pour commencer la préparation pour l'hiver, l'appareil doit être mis en marche selon "Démarrage/ Fonctionnement à l'eau froide".
  - b. après la mise en route, coupez l'appareil et l'alimentation en eau.
  - c. relâcher la pression du système en dirigeant le pistolet de déclenchement dans une direction sûre et en pressant la gâchette jusqu'à ce que l'eau cesse de couler de la lance.
  - d. bloquez le pistolet de déclenchement en position "OFF" et régler la double lance sur le mode de basse pression.

**NOTE:** La préparation pour l'hiver correcte se base sur les instructions du fabricant énumérées sur le "tableau de protection" visible sur l'étiquette arrière de la plupart des récipients d'antigel.

- e. enlevez le couvercle du réservoir.
- f. démarrez l'appareil et actionnez le pistolet de déclenchement jusqu'à ce que le réservoir soit presque vide.
- g. arrêtez l'appareil.
- h. mélangez de l'antigel et de l'eau dans un récipient qui peut être utilisé pour verser la solution dans le réservoir.
- i. démarrer l'appareil. Placer le pistolet de déclenchement dans le récipient vide. Actionnez le pistolet jusqu'à ce que l'antigel commence à sortir du pistolet. Recommencez plusieurs fois jusqu'à ce que tout le mélange d'antigel soit siphonné du récipient.
- j. arrêtez l'appareil.
- k. démontez le tuyau et le pistolet de déclenchement de l'appareil et vidangez le surplus d'antigel dans le récipient de 5 gallons (19l)
- l. entreposez le tuyau, pistolet de déclenchement et double lance avec l'appareil dans un endroit sûr où la température est au-dessus de 0°C. Entreposez la solution d'antigel en attend le prochain usage ou débarrassez-vous en selon les lois du pays.

**BOUCHON DE VIDANGE D'ENROULEMENT**



## CONSIGNES DE STOCKAGE ET D'ENTRETIEN

### PREPARATION POUR L'HIVER (SUITE):

#### 3. PROCÉDURE FACULTATIVE:

- a. stoppez l'appareil ainsi que l'approvisionnement en eau
- b. relâchez la pression du système en dirigeant le pistolet de déclenchement dans une direction sûre et en pressant la gâchette jusqu'à ce que l'eau cesse de couler de la buse.
- c. débranchez et vidangez le tuyau, le pistolet de déclenchement et la double lance.
- d. enlevez le bouchon de vidange d'enroulement de l'admission d'échangeur de chaleur.
- e. démarrez l'appareil et laissez la en marche jusqu'à ce que toute l'eau s'écoule de l'appareil. Après quoi, éteignez l'appareil.

**NOTE:** *En utilisant cette procédure, faites attention car des morceaux de glace peuvent former des gouttes d'eau qui pourraient faire éclater l'appareil si on le démarrait avant qu'il soit totalement dégelé.*

## GUIDE DE DÉPANNAGE

SYMPTÔME	CAUSE PROBABLE	SOLUTION
Le moteur de la pompe refuse de fonctionner.	<p>Surcharge Circuit électrique.</p> <p>GFCI (disjoncteur différentiel) déclenché.</p> <p>Surcharge moteur.</p> <p>L'option Marche/Arrêt automatique est utilisée</p>	<p>Vérifier le disjoncteur mural ou le fusible.</p> <p>Réenclencher</p> <p>Réenclencher le bouton de surchauffe sur le moteur de la pompe ou du panneau de contrôle électrique intérieur.</p> <p>Pointez le pistolet dans une direction sûre et pressez la gâchette.</p>
Aucune décharge ne sort de la buse lorsque la gâchette est pressée.	<p>Approvisionnement en eau inadéquat.</p>	<p>S'assurer que le tuyau a un diamètre intérieur de <math>\frac{3}{4}</math> de pouce (1.9cm) et que l'alimentation en eau est ouverte.</p>
Aucune pression ou pression fluctuante.	<p>Pli dans le tuyau d'admission d'eau.</p> <p>Pli dans le tuyau à haute pression.</p> <p>Crépine de l'admission d'eau obstruée.</p> <p>La pompe aspire de l'air (Amorçage éliminé).</p> <p>La poignée de réglage de la lance n'est pas en mode haute pression.</p> <p>La buse de pulvérisation est obstruée ou usée.</p> <p>Ensemble Valve usée ou endommagée.</p> <p>Garnitures de pompe usées.</p> <p>Le déchargeur/La soupape de dérivation ne fonctionne pas correctement.</p> <p>Dépôt calcaire dans l'enrouleur de l'échangeur de chaleur.</p>	<p>Déplier.</p> <p>Remplacer le tuyau à haute pression défectueux.</p> <p>Retirer la crépine, nettoyer ou remplacer.</p> <p>Resserrer tous les raccords d'arrivée d'eau. Eliminer les fuites dans les canalisations d'arrivée d'eau.</p> <p>Tourner la poignée (sens des aiguilles d'une montre) en mode haute pression.</p> <p>Retirer et nettoyer ou remplacer.</p> <p>Retirer et nettoyer ou remplacer.</p> <p>Remplacer les garnitures.</p> <p>Réparer ou remplacer.</p> <p>Détartre.</p>

## GUIDE DE DÉPANNAGE

SYMPTÔME	CAUSE PROBABLE	SOLUTION
De l'eau fuit de la soupape de décharge de chaleur.	<p>La température d'admission d'eau est trop élevée.</p> <p>La température de l'eau est trop élevée.</p> <p>Soupape défectueuse.</p>	<p>La température de l'eau entrante doit être inférieure à 125°F (52°C).</p> <p>Ne laissez pas l'appareil fonctionner en mode de dérivation (avec le pistolet de déclenchement fermé) pendant plus de trois minutes.</p> <p>Remplacer.</p>
L'huile est laiteuse ou écumeuse.	Présence d'eau dans l'huile.	Changer l'huile de la pompe. Remplir au niveau correct.
De l'huile s'écoule de l'appareil.	Joint ou joints toriques usés.	Contacter le service clients.
Le détergent ne se siphonne pas.	<p>La crépine n'est pas complètement immergée dans la solution de détergent.</p> <p>La crépine à détergent est obstruée.</p> <p>Le tuyau à détergent est coupé, obstrué ou plié.</p> <p>Le bouton de réglage du détergent est en position fermé.</p>	<p>Vérifier, immerger au besoin.</p> <p>Inspecter, nettoyer ou remplacer.</p> <p>Inspecter, nettoyer ou remplacer.</p> <p>Ouvrir le bouton de réglage. Voir page 47 «Nettoyage avec des détergents ».</p>
L'eau refoule dans le réservoir à détergent.	Valve manquante ou corrodée.	Retirer, nettoyer ou remplacer.
L'eau s'écoule de la buse lorsque le pistolet déclencheur est verrouillé en position «Off ».	Le pistolet déclencheur est défectueux.	Réparer ou remplacer
L'eau s'écoule au-dessous de l'enrouleur de l'échangeur de chaleur.	<p>Le bouchon de vidange n'est pas en place.</p> <p>Le dispositif de sécurité s'est déclenché à cause d'un dysfonctionnement de l'interrupteur de décharge ou de pression.</p>	<p>Le mettre en place.</p> <p>1.Détecter et corriger le problème de l'interrupteur de décharge ou de pression.</p> <p>2.Remplacer le dispositif de sécurité. Ne jamais utiliser l'appareil sans le dispositif de sécurité. Sinon, il pourrait en résulter une explosion.</p>

## GUIDE DE DÉPANNAGE

SYMPTÔME	CAUSE PROBABLE	SOLUTION
Le brûleur refuse de s'allumer.	L'interrupteur n'est pas en position «brûleur ».	Vérifier la position de l'interrupteur.
	Pas de courant.	Contacter le service clients.
	Plus de carburant.	Faire le plein (Repositionner le contrôle primaire du brûleur ou les options cad cell).
	La crépine d'admission du carburant est obstruée.	Contacter le service clients.
	Le pistolet déclencheur est fermé.	Ouvrir le pistolet déclencheur pour avoir de la pression.
	Forçage de l'interrupteur pression.	La pression doit être supérieure à 250 PSI (17.5 Kg/cm <sup>2</sup> ) pour permettre au brûleur de fonctionner.
	Le limiteur de température s'est activé.	L'appareil redémarrera automatiquement après refroidissement
	Le coupleur du flexible est cassé.	Remplacer.
	Filtre/Extracteur d'eau sales ou bouchés.	Purger ou remplacer.
	La pompe à carburant aspire de l'air.	Resserrer les raccords d'arrivée de carburant. Eliminer les fuites dans les canalisations d'arrivée de carburant.
	La pompe à carburant est inopérante.	Vérifier la pression, remplacer si nécessaire.
	Le gicleur est sale ou bouché.	Remplacer.
	Mauvais réglage d'air du brûleur.	Régler comme expliqué à la page 48.
	Défaillance du transformateur d'allumage.	Remplacer.
	Electrodes d'allumage usées ou cassées.	Vérifier à travers la vitre du brûleur qu'il y a des étincelles entre les électrodes pendant que l'appareil est en marche avec la gâchette fermée.
	Option Vapeur	Défaillance de la valve solénoïde de carburant.
Mode PSI élevé.		Vérifier que le commutateur Brûleur/ Vapeur est sur le mode Brûleur.
Option cad cell.	Mode vapeur.	Vérifier que le commutateur Brûleur/ Vapeur est sur le mode Vapeur
	Mode vapeur : La pression (PSI) de la tête de pompe est trop élevée.	Réduire la pression à 350 PSI (25 kg/cm <sup>2</sup> ).
	Le contrôle primaire est verrouillé.	Réinitialiser.

## GUIDE DE DÉPANNAGE

SYMPTÔME	CAUSE PROBABLE	SOLUTION
Le moteur de brûleur refuse de fonctionner.	<p>L'interrupteur n'est pas en position «brûleur ».</p> <p>Pas de courant.</p> <p>Surcharge moteur.</p> <p>Pompe à carburant grippée.</p> <p>Ventilateur grippé.</p>	<p>Vérifier la position de l'interrupteur.</p> <p>Contacter le service clients.</p> <p>Le moteur se remet automatiquement en marche quand il refroidit.</p> <p>Laisser le moteur refroidir. Réparer ou remplacer.</p> <p>Laisser le moteur refroidir. Réparer ou remplacer.</p>
Le moteur tourne irrégulièrement.	<p>Présence d'eau dans le carburant.</p> <p>Filtre à carburant/séparateur d'eau sales.</p> <p>Gicleur carburant sale.</p> <p>Crépine d'admission de carburant obstruée.</p> <p>Mauvais réglage de l'air.</p> <p>Dysfonction de la pompe à carburant.</p>	<p>Vidanger le filtre à carburant/ l'extracteur d'eau. Vidanger le réservoir de carburant, et remplacer par du carburant propre.</p> <p>Remplacer.</p> <p>Remplacer.</p> <p>Contacter le service clients.</p> <p>Régler comme expliqué page 48.</p> <p>Remplacer.</p>
Le brûleur est en marche, mais ne chauffe pas.	<p>Approvisionnement en carburant incorrect ou insuffisant.</p> <p>Faible pression de la pompe à carburant.</p> <p>Gicleur sale.</p> <p>Crépine d'admission de carburant obstruée.</p> <p>Réglage de l'air incorrect.</p> <p>Dépôt calcaire dans l'enrouleur de l'échangeur de chaleur.</p>	<p>Vérifier si le carburant est correct. Vidanger le réservoir, remplacer le filtre si nécessaire, et faire le plein avec du carburant propre.</p> <p>Vérifier la pression de la pompe à carburant, régler ou remplacer si nécessaire.</p> <p>Remplacer.</p> <p>Contacter le service clients.</p> <p>Régler comme expliqué à la page 48.</p> <p>Contacter le service clients.</p>

## GUIDE DE DÉPANNAGE

SYMPTÔME	CAUSE PROBABLE	SOLUTION
De la fumée blanche sort du brûleur	Pas assez de carburant.	Remplir le réservoir. Si la fumée persiste, contacter le service clients.
	Approvisionnement en carburant incorrect ou insuffisant.	Vérifier la pression de la pompe à carburant, régler ou remplacer si nécessaire.
	Gicleur à carburant sale.	Remplacer.
	Crépine d'admission de carburant obstruée.	Contacter le service clients.
	Réglage d'air incorrect.	Régler comme expliqué à la page 48.
	La chambre de combustion est froide au démarrage.	Laisser tourner le brûleur plusieurs minutes.
	Arrivée d'air trop importante.	Régler comme expliqué à la page 48.
De la fumée noire sort du brûleur.	Arrivée d'air insuffisante.	Régler comme expliqué à la page 48.
	Présence de carburant non brûlé dans la chambre de combustion.	Contacter le service clients.



## TABLEAU D'ENTRETIEN

PROCEDURE	JOUR	3 MOIS	6 MOIS	9 MOIS	12 MOIS
Inspecter le cordon électrique	X				
Tester le GFCI	X				
Tester le voltage et l'ampérage					X
Vérifier le niveau d'huile de pompe à eau	X				
Changer l'huile de pompe à eau **		X	X	X	X
Inspection de fuite d'huile		X			
Inspection de fuite de carburant	X				
Inspection de fuite d'eau		X			
Inspection du tuyau	X				
Inspection du filtre d'admission d'eau	X				
Inspection du filtre à combustible/extracteur d'eau	X				
Inspection de la courroie			X	X	X
Remplacement de la buse à haute pression***	X	X	X	X	
Remplacement du filtre à combustible/extracteur d'eau					X
Inspection du filtre de pompe à essence*				X	
Remplacement du gicleur*					X
Vérifier le réglage d'air du brûleur			X	X	X
Vérifier les électrodes du brûleur*					X
Tester la pression de l'eau*		X	X	X	X
Tester la pression du carburant*		X	X	X	X
Tester la température de l'eau*		X	X	X	X
Détartrer l'enrouleur****					X

\* Doit être exécuté par un technicien de service autorisé

\*\* L'huile de pompe doit être changée après les 50 premières heures et toutes les 250 heures ou 3 mois, faire au plus tôt de ces deux valeurs.

\*\*\* La buse à haute pression doit être remplacée chaque fois que la pression est à moins de 85%

\*\*\*\* Le dépôt calcaire est amené à varier avec la teneur en minéraux dans l'eau et la fréquence d'utilisation. La fréquence de désincrustation peut varier de la semaine à l'année.

---

**NOTE**

## BON DE GARANTIE:

Le fabricant garantit toutes les pièces, (excepté celles stipulées ci-dessous), de votre nouveau nettoyeur à pression d'eau chaude en cas de défauts de matériaux et de fabrication pendant les périodes suivantes:

Pendant cinq (5) années à partir de la date d'achat:	Pompe à haute pression	
Pendant trois (3) années à partir de la date d'achat:	Enroulement d'échangeur de chaleur	
Pendant deux (2) années à partir de la date d'achat:	Armature Protection	Tuyauterie Poulies
Pendant un (1) an à partir de la date d'achat:	Interrupteurs de sélection Contacteur de Starter Thermostat réglable	Cordon électrique GFCI Surcharge
Pendant six (6) mois à partir de la date d'achat:	Transformateur d'allumage	Moteur du brûleur
Pendant quatre vingt dix (90) jours à partir de la date d'achat:	Valve de régulation Commandes de sécurité Pompe à essence	Electrodes Solénoïde de carburant
Pendant trente jours (30) à partir de la date d'achat:	Tuyau à haute pression Crépine/ Filtres	Pistolet de déclenchement Double lance

Des pièces défectueuses dont la cause n'est ni l'usure normale ni la détérioration seront réparées ou remplacées après examen pendant la période de garantie. Quoi qu'il arrive, le remboursement est limité au prix d'achat.

### EXCLUSIONS:

1. Le moteur est garanti séparément par son fabricant et est sujet aux limites ci-inclus.
2. Usure normale des pièces  
Garnitures d'étanchéité de pompe      Buses de pulvérisation  
Valves de pompe                              Valve à détergent  
Filtre à essence                                Coupleurs rapides
3. Cette garantie ne couvre pas les pièces endommagées par l'usure normale, une mauvaise utilisation, un fonctionnement à des vitesses, pressions ou températures différentes de celles recommandées. Les pièces endommagées ou usées par l'utilisation de liquides caustiques ou par l'utilisation dans des environnements abrasifs ou corrosifs ou encore dans des conditions provoquant la cavitation de la pompe ne sont pas garanties. La garantie ne couvre pas les dégâts provoqués par un mauvais suivi des procédures de fonctionnement et d'entretien.
4. L'utilisation de pièces de réparation autres que celles d'origine annule la garantie. Les pièces renvoyées en port payé, à notre usine ou à un centre commercial agréé seront inspectées et remplacées gratuitement si elles sont effectivement défectueuses après estimation, et si elles entrent dans les conditions de la garantie. Il n'existe aucune garantie prolongeant les date d'expiration stipulées ci-dessus. Le fabricant n'est en aucun cas responsable des pertes d'usage, de temps ou de location, du dérangement, des pertes commerciales ou des dommages qui en résultent.

Pour toute question de service ou garantie, contacter  
Mi-T-M® Corporation, 8650 Enterprise Drive, Peosta, IA 52068  
1-877-JD-KLEEN / (1-877-535-5336) Fax 563-556-1235  
Du lundi au vendredi de 8h00 à 17h00, heure centrale

